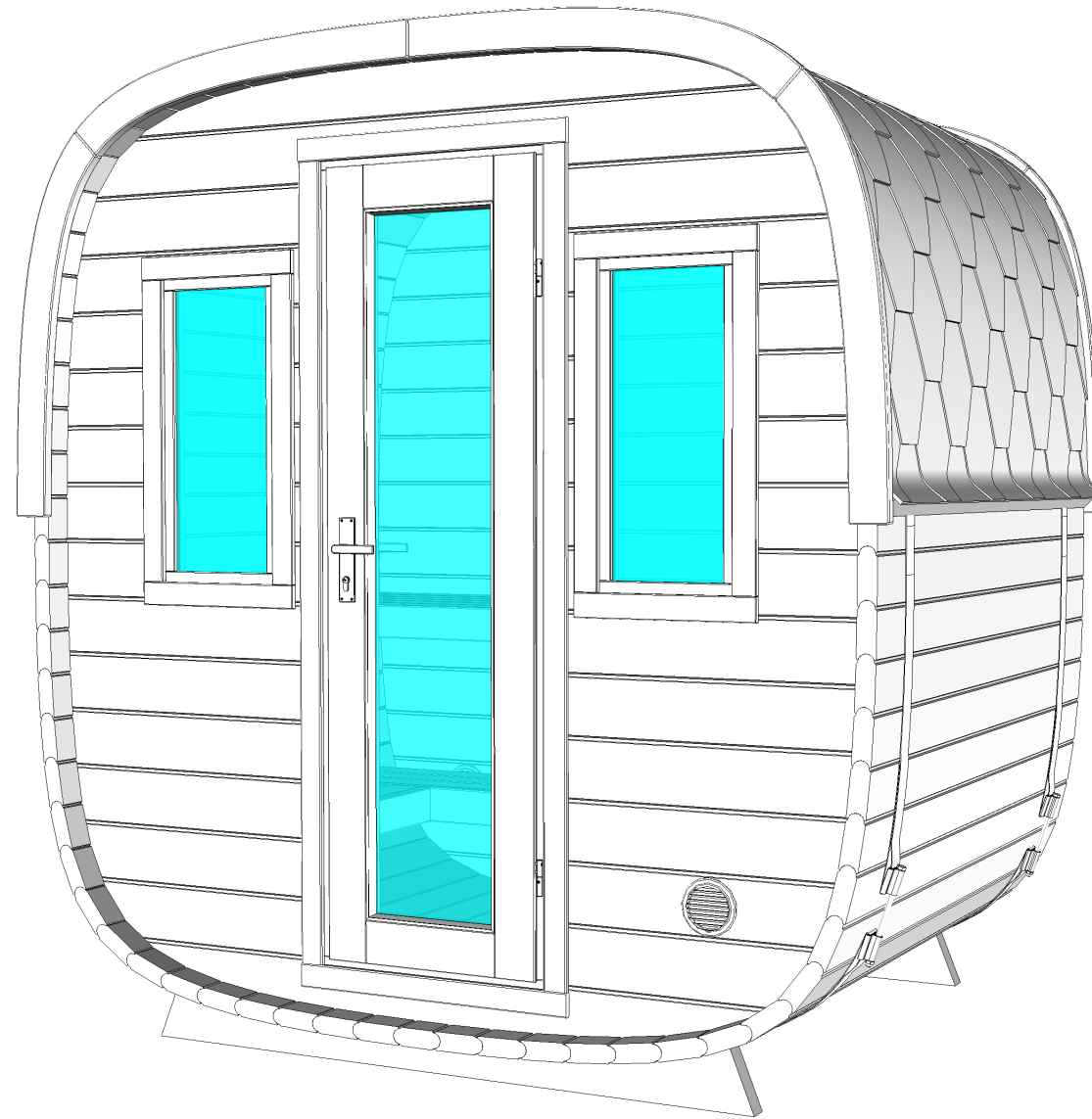
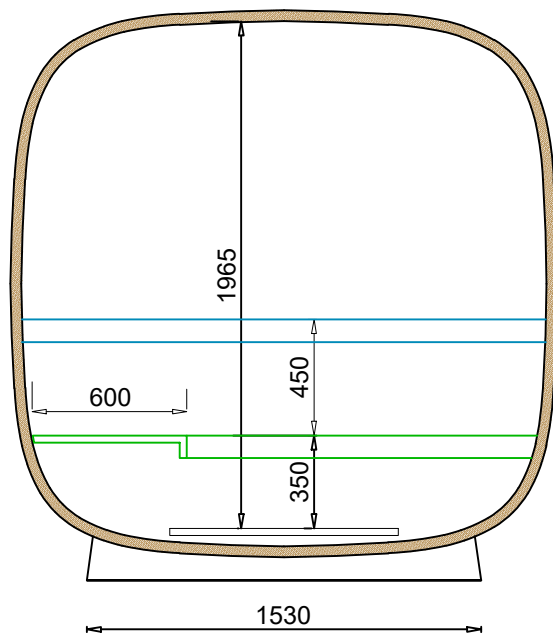
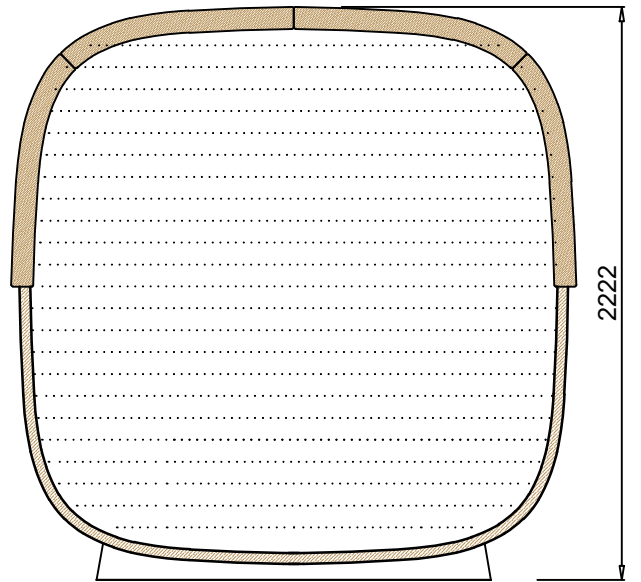
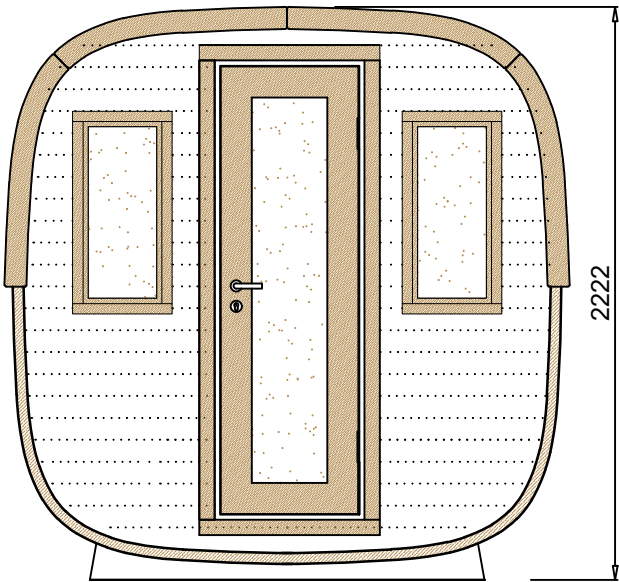
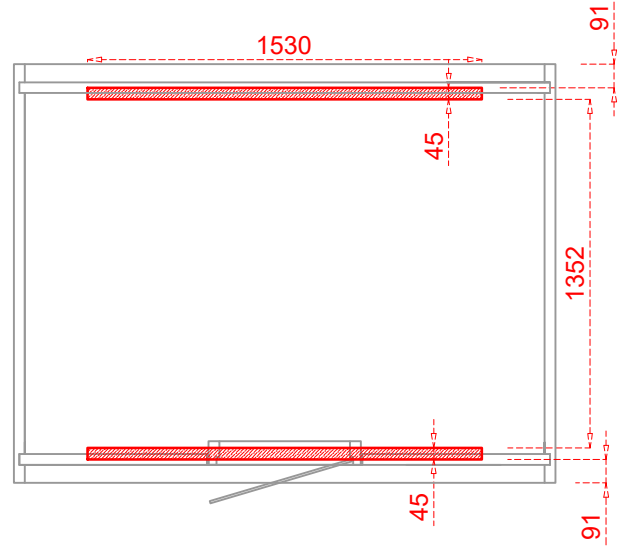
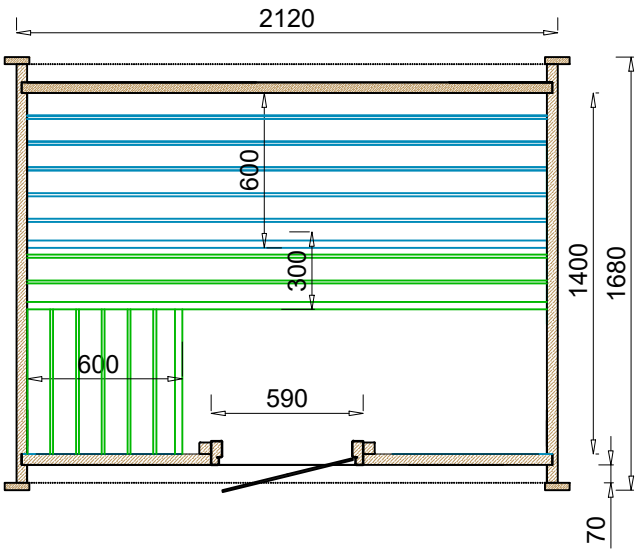


Barrel sauna 1.6

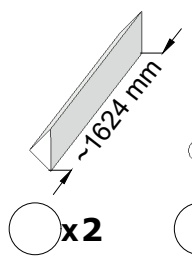


Please check the parts for completeness before assembly!

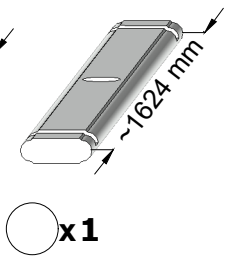


Detail list 1

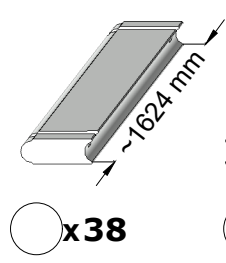
DE



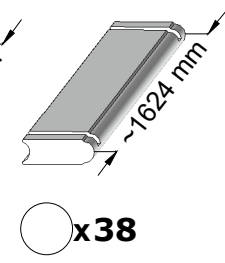
B3



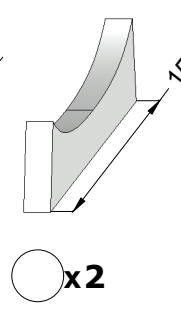
B3a



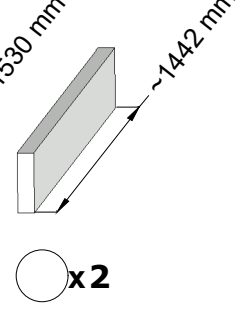
B3b



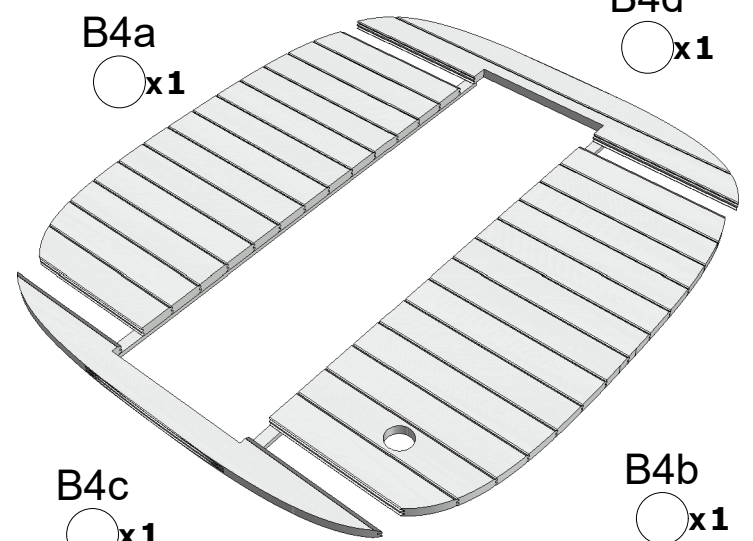
B1



B2



B4a
○x1



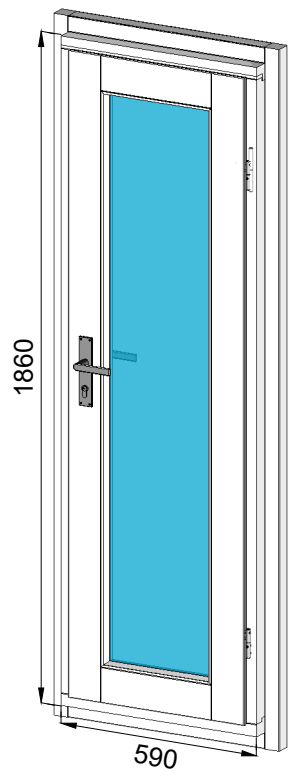
B4d
○x1

B4b
○x1

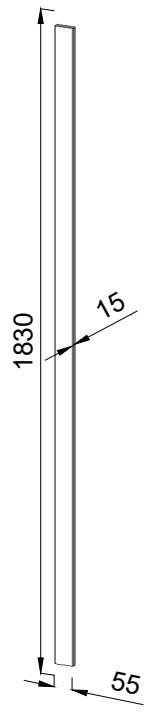
B4c
○x1

B7a

○x2

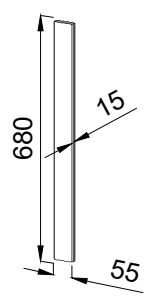


B7 ○x1

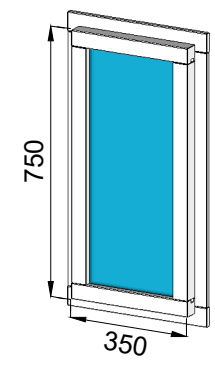


B7b

○x2



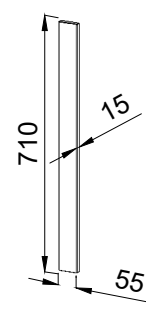
Windows are included when ordered



B8 ○x2

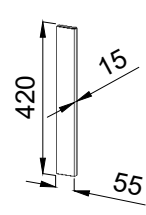
B8a

○x4



B8b

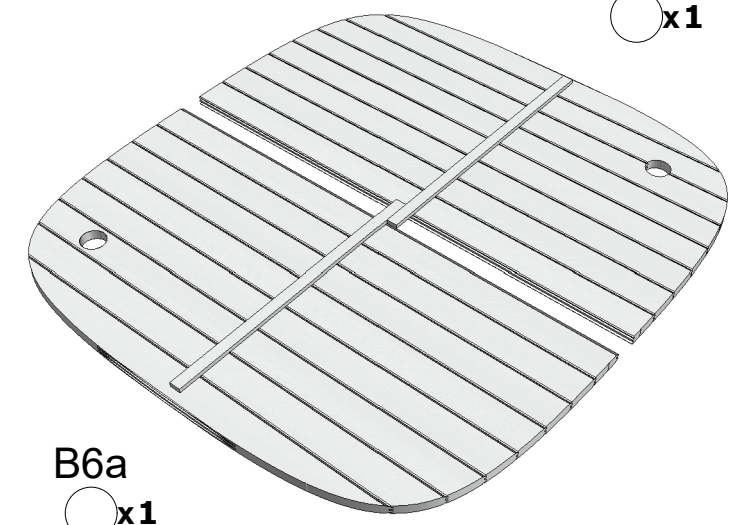
○x4



D1 ○x8



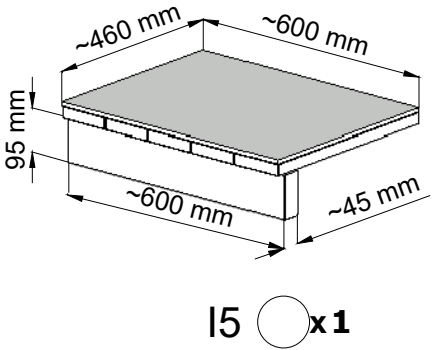
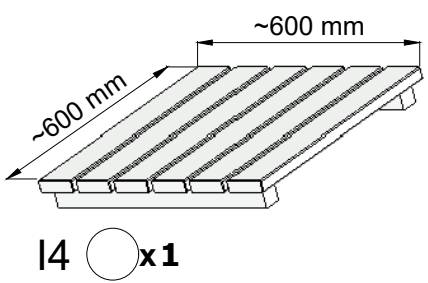
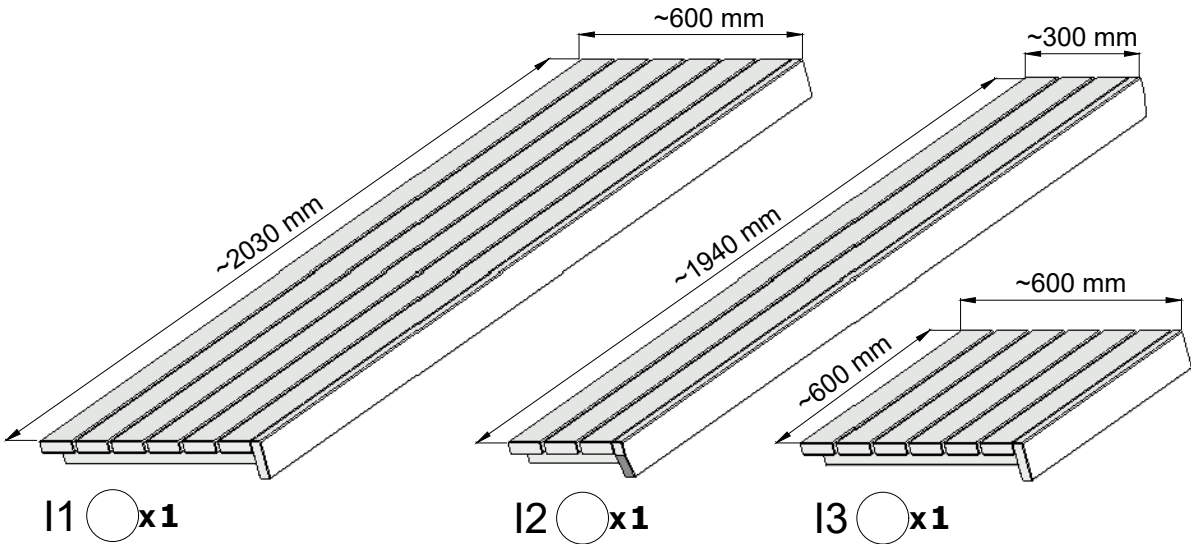
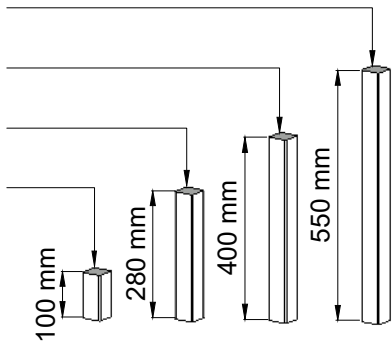
B6a
○x1



B6b
○x1

Detail list 2

- K55 ○ x4
- K40 ○ x2
- K28 ○ x2
- K10 ○ x2

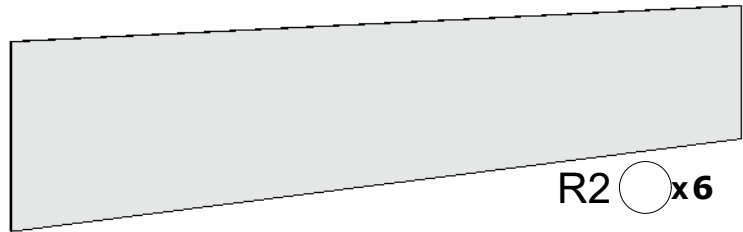


heating protection ○ x1

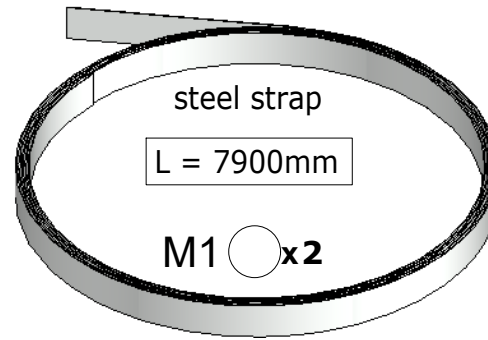
Detail list 3



R1 ○ x2,5 pkg



R2 ○ x6



steel strap
L = 7900mm

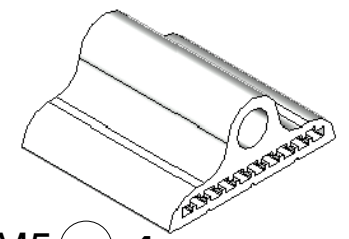
M1 ○ x2



M3 ○ x4



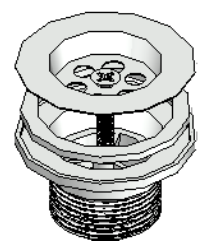
M4 ○ x2



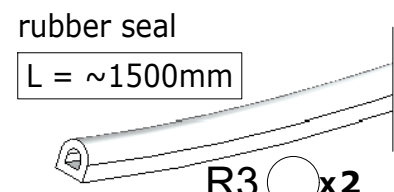
M5 ○ x4



M2 ○ x2



V1 ○ x1



rubber seal
L = ~1500mm

R3 ○ x2

Spruce
4,5x80
Thermo
4,2x75

4,2x75

Spruce
4,5x60
Thermo
4,2x55

4,2x55

For windows, if there are windows

3x40

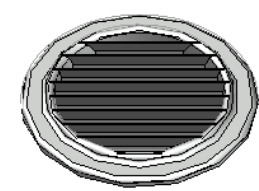
3x40

For windows, if there are windows

4,2x55

Nails

3x30



V2 ○ x5



V3 ○ x1

○ x0,5kg ○ x18

○ x36

○ x20

○ x25

○ x170

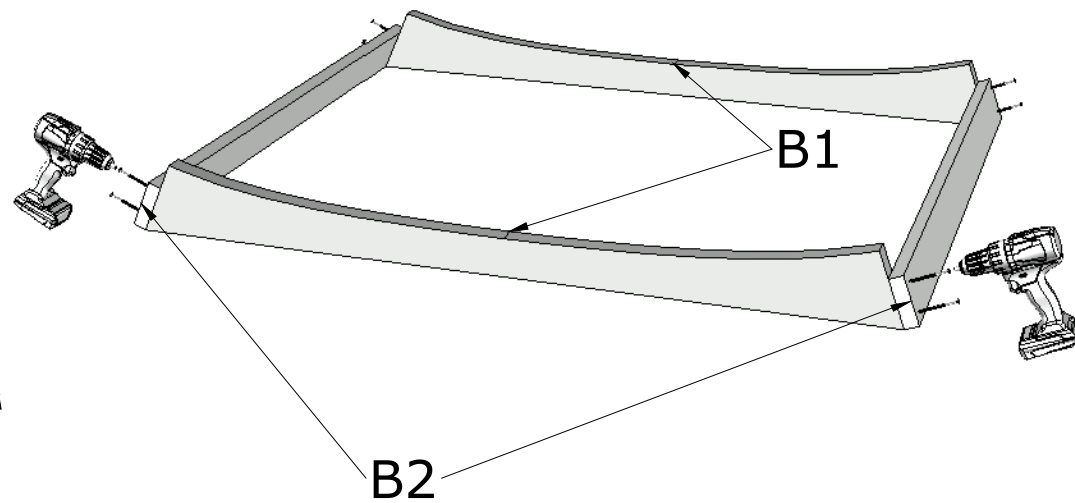
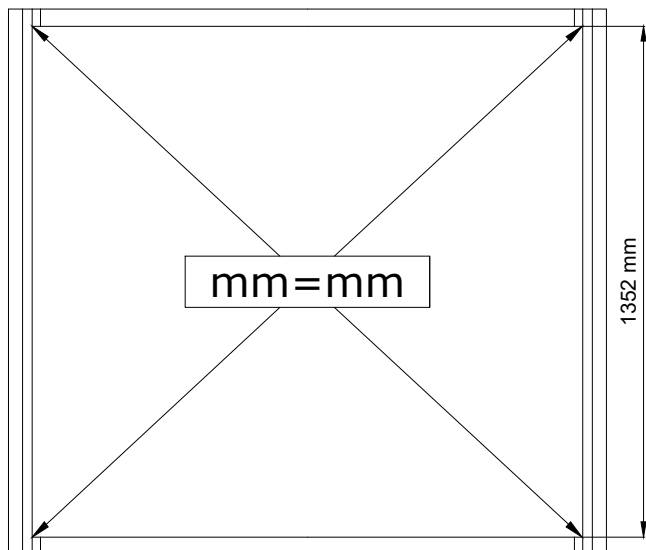
○ x35

○ x130

V3 and one V2 are not included if the back panel is Panorama style

Screws

8x 4,5x80



NB! use a level



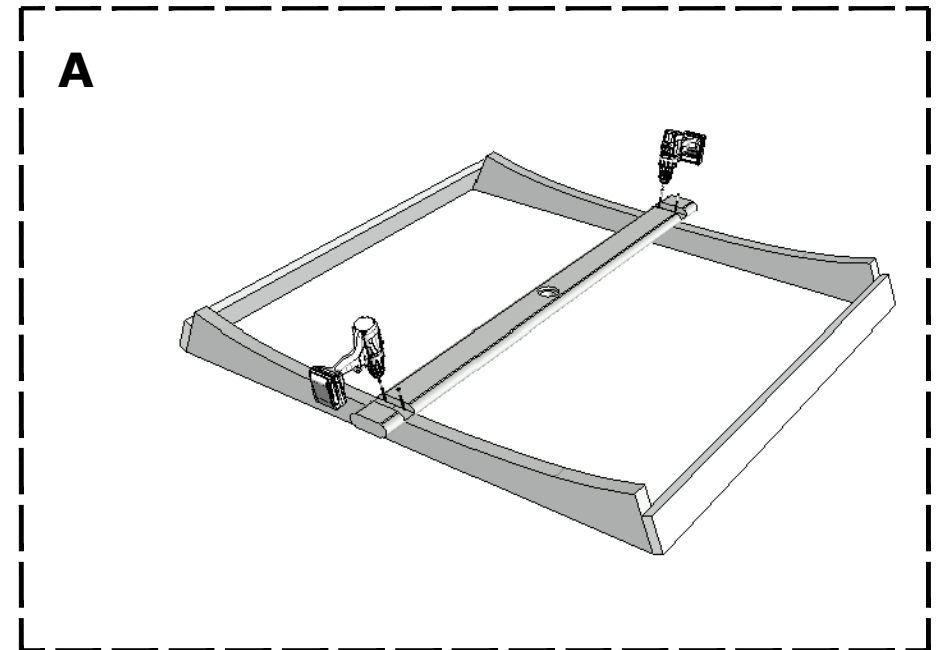
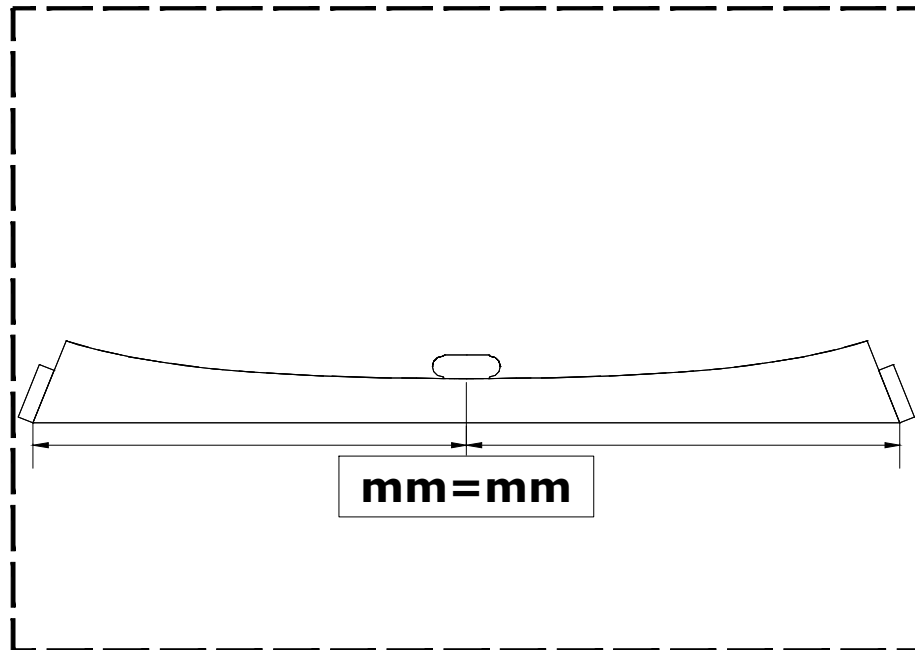
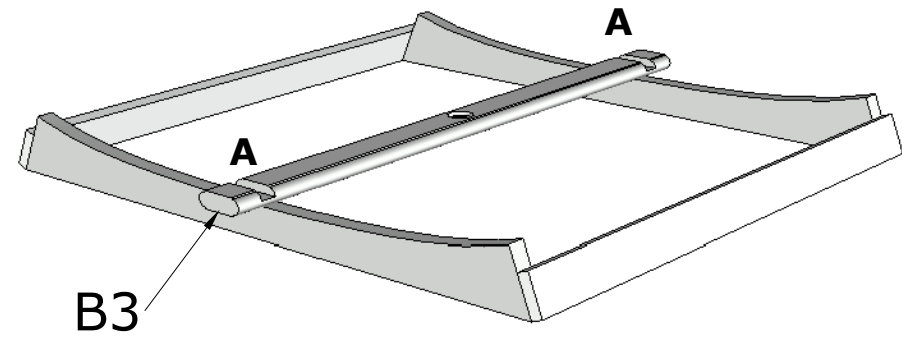
Screws

4x 4,5x80

Please countersink the
screw head!

Use two screws for
point A (see sketch)

2

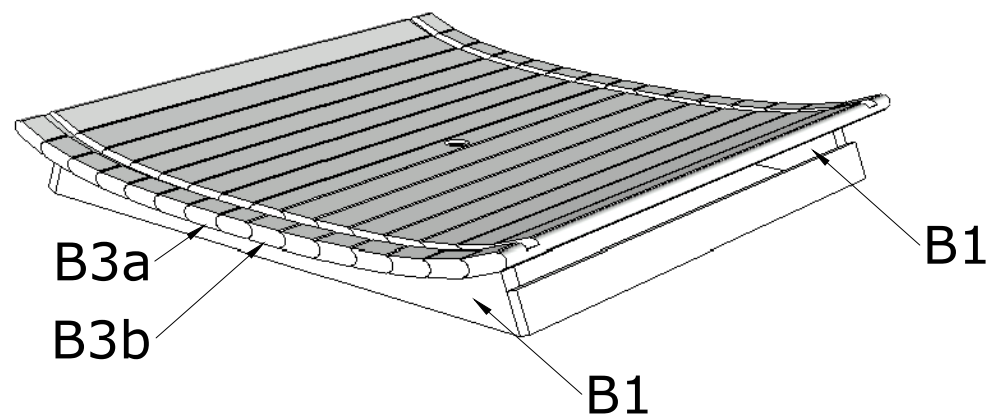


Screws

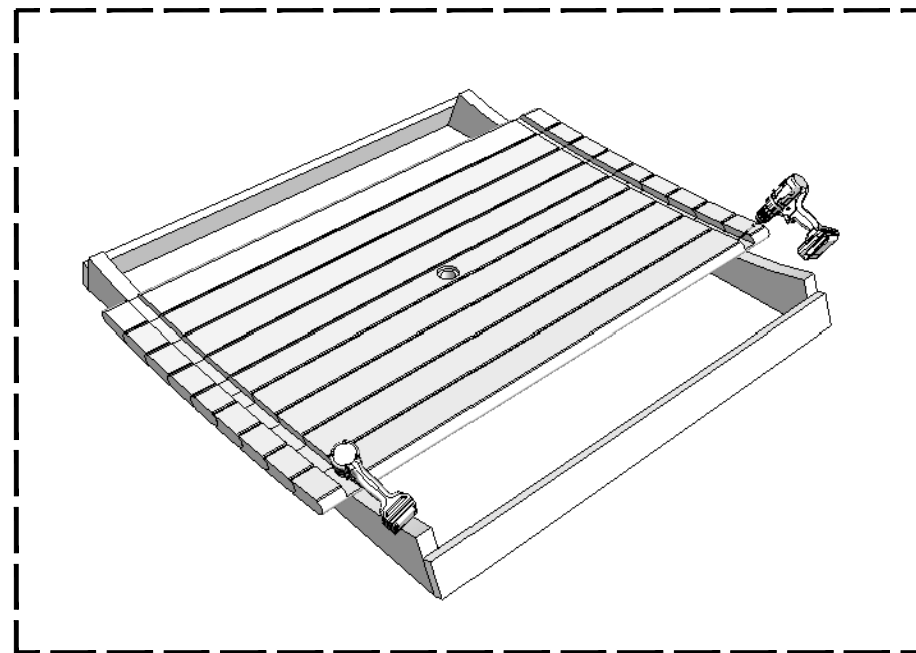
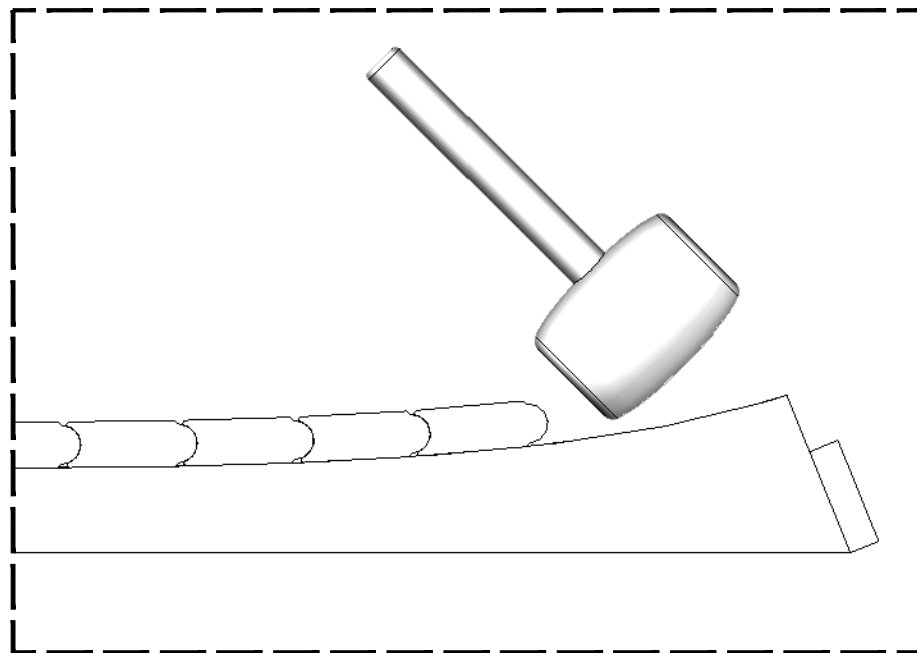
28x 4,5x80

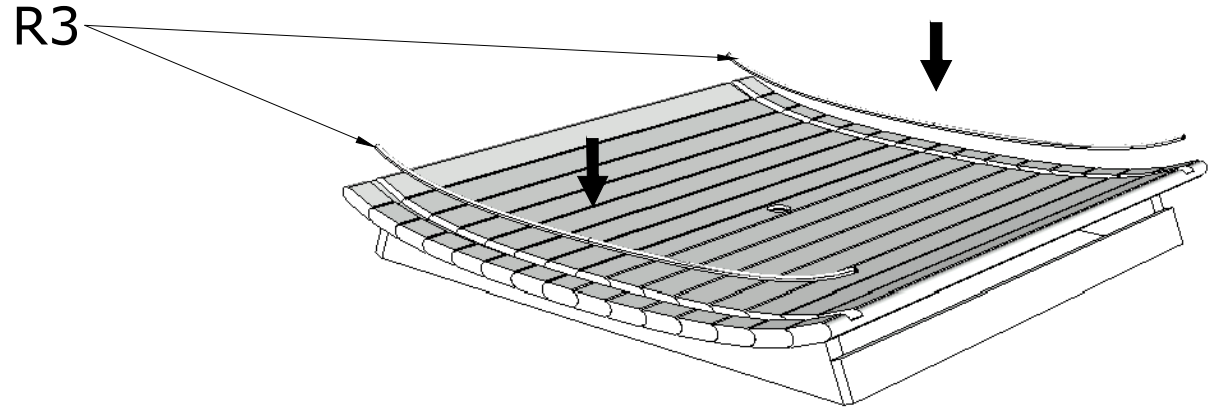
3

Use a rubber mallet to
tap the planks together



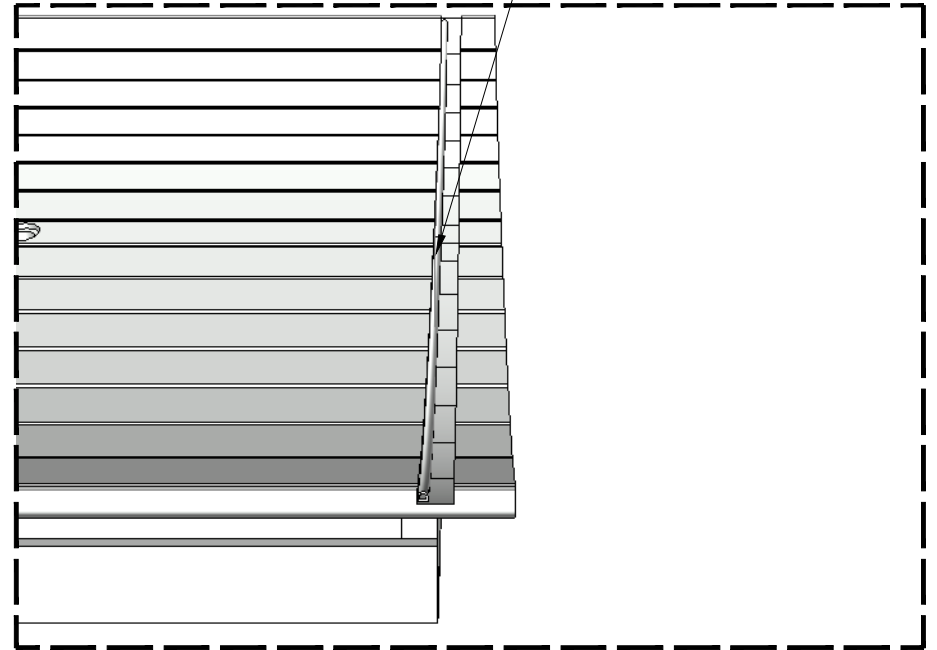
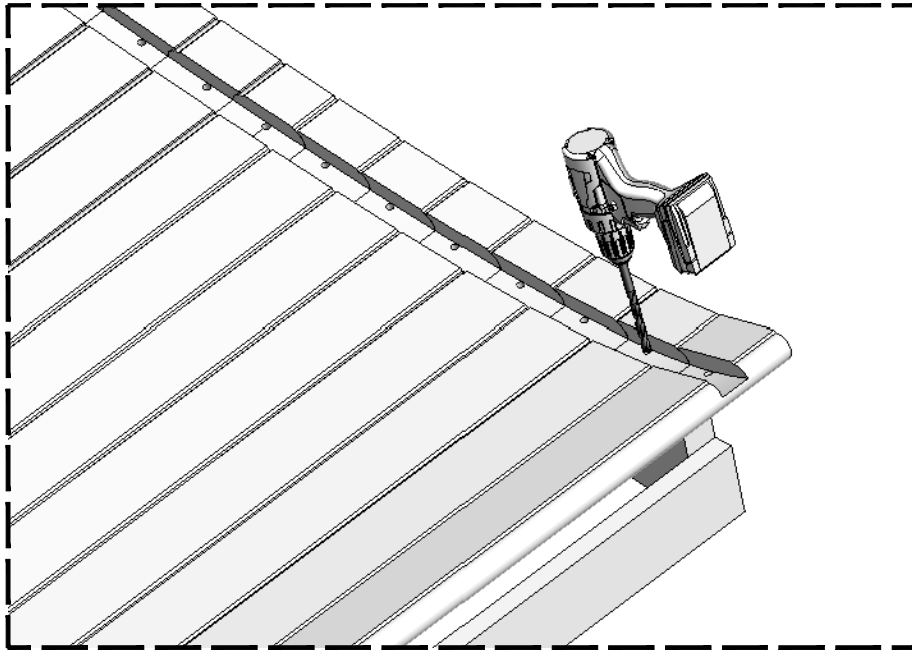
Screw each plank to
the foundation B1
with a screw





Lay R3 (rubber seal) on the inside of the groove

Drill a 10mm hole in each plank, only at the back!

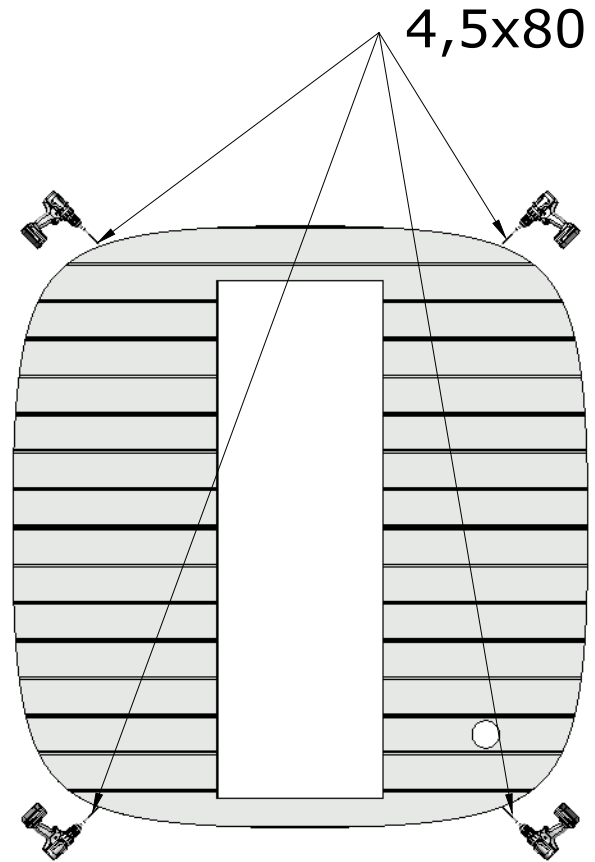
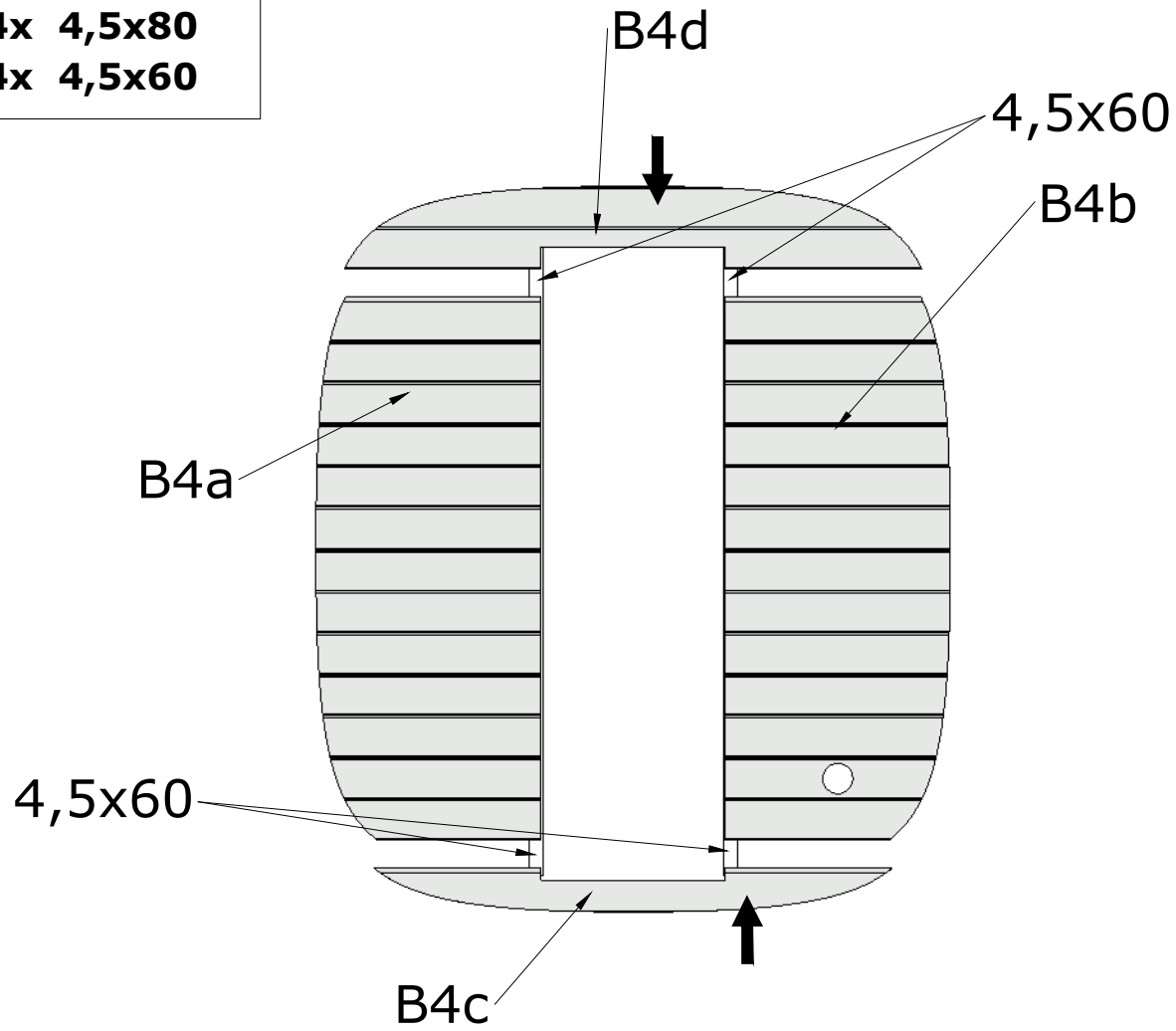


Screws

4x 4,5x80

4x 4,5x60

5a

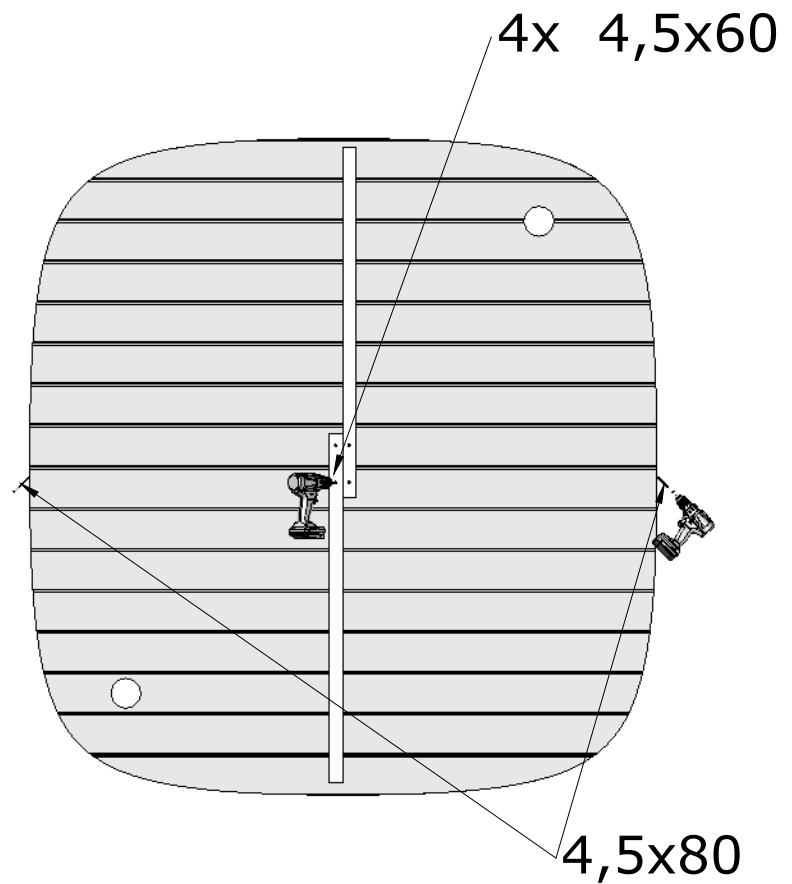
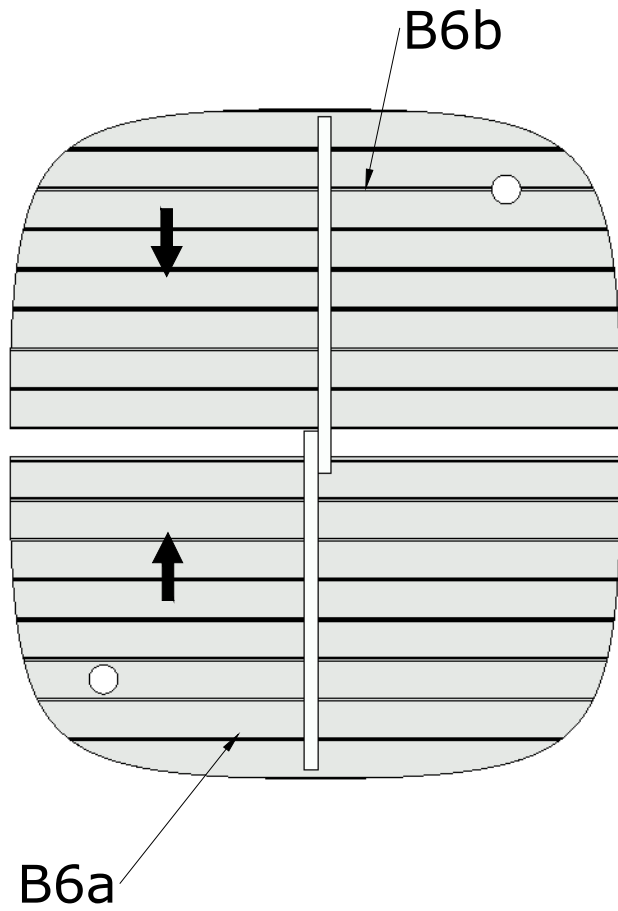


Screws

2x 4,5x80

4x 4,5x60

5b



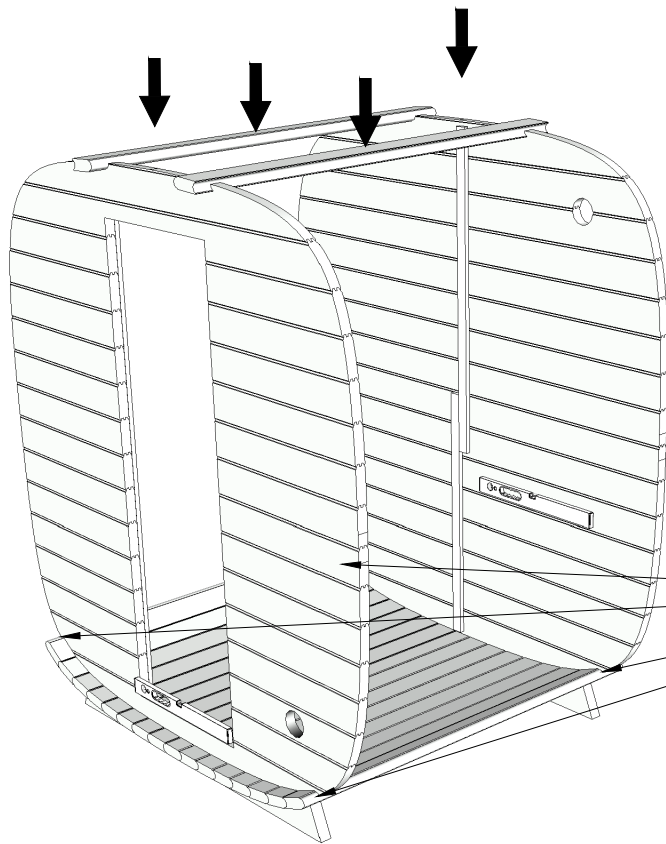
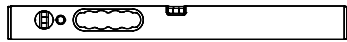
Screws

4x 4,5x60

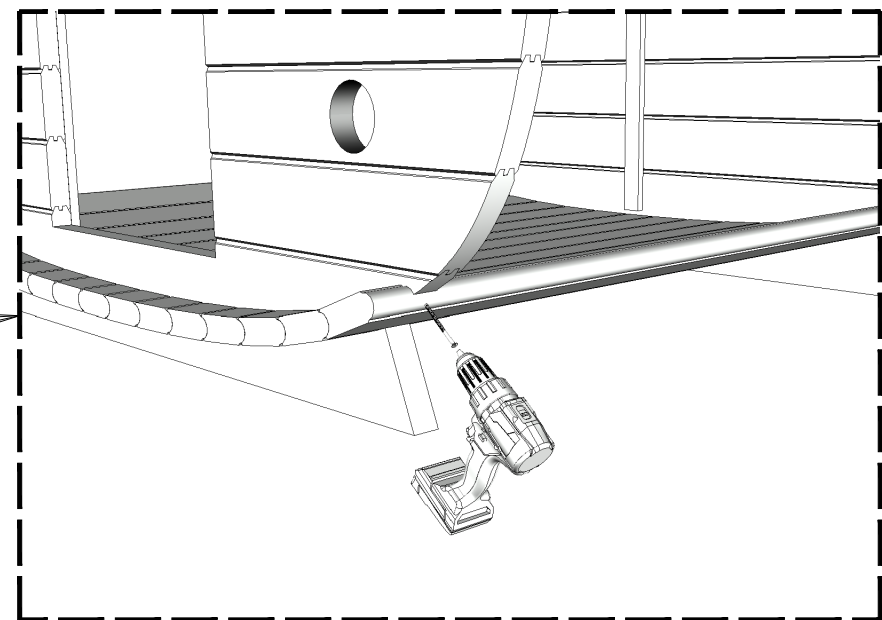
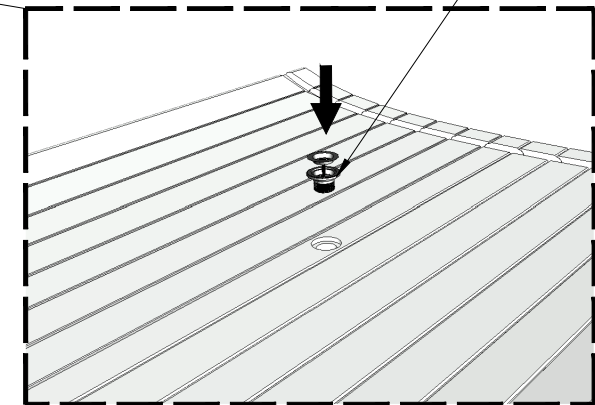
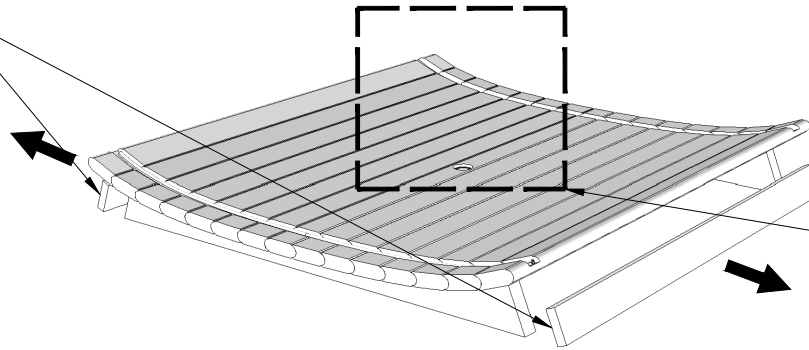
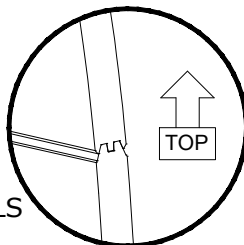
**Remove
B2 again**

**Mount V1 in the
drainage hole**

NB! use a level



**PAY ATTENTION TO THE
DIRECTION OF THE WALLS**



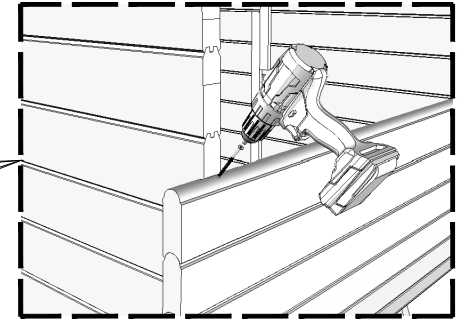
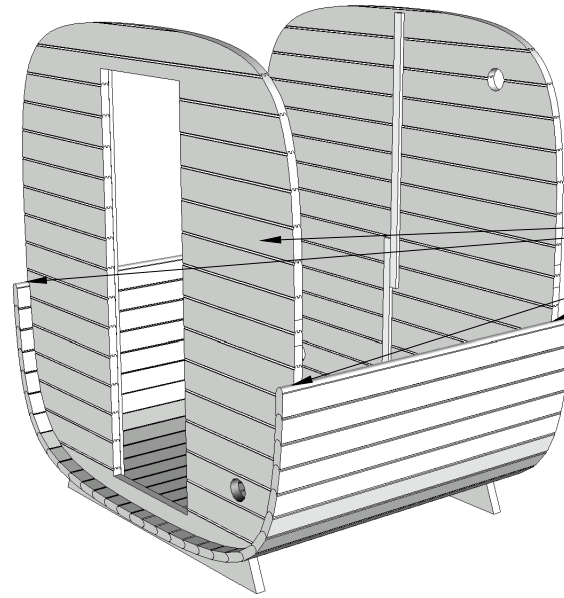
**Screw the walls to the outermost plank
with 1 screw each**

Screws

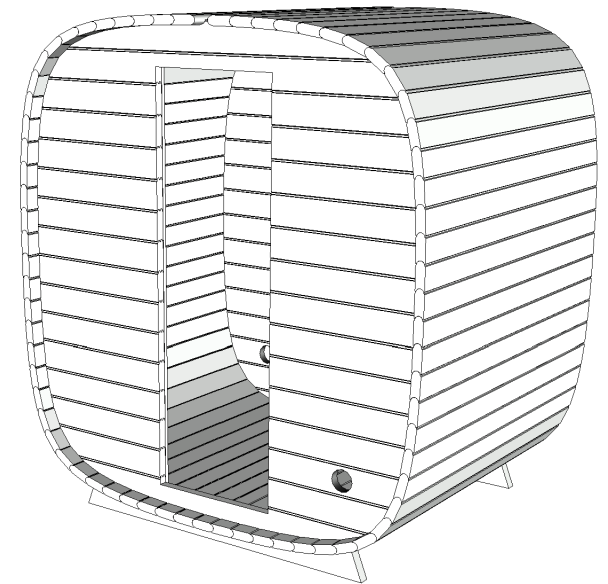
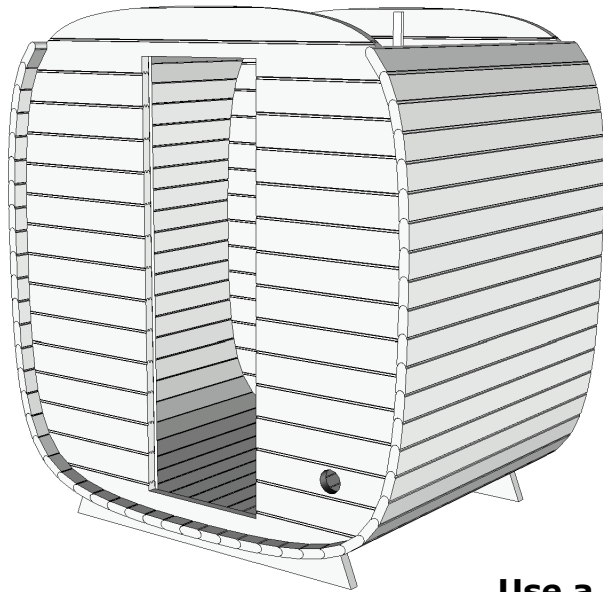
108x 4,5x60

Use B3a and B3b to finish
the case
stellen

Screw the side wall planks
to the walls

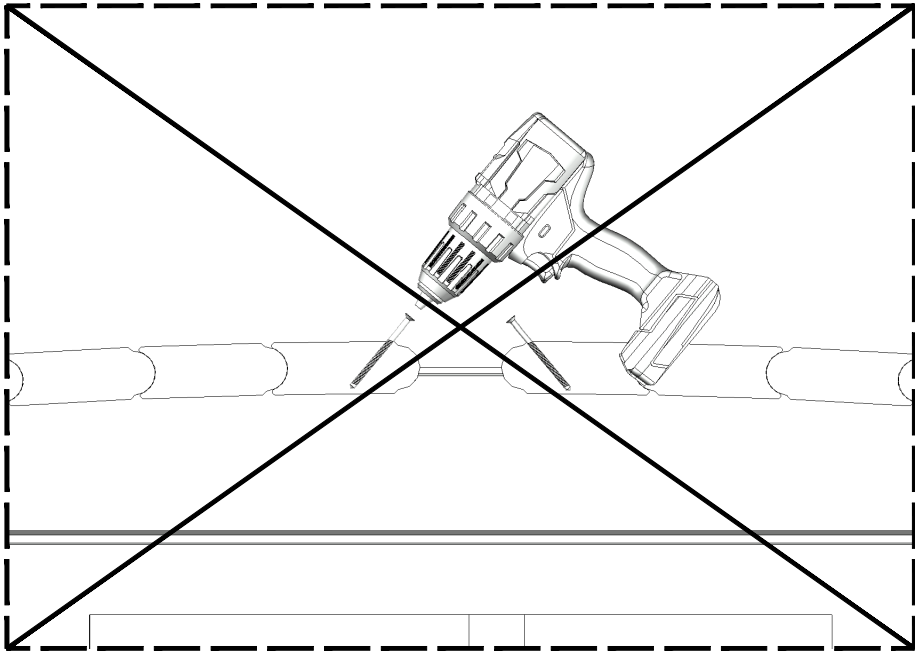


7

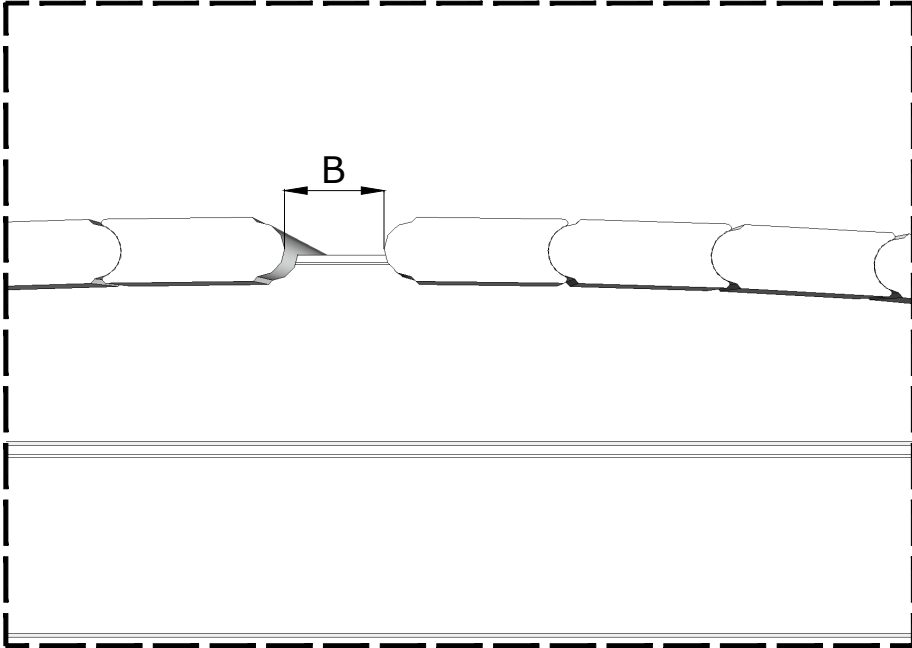
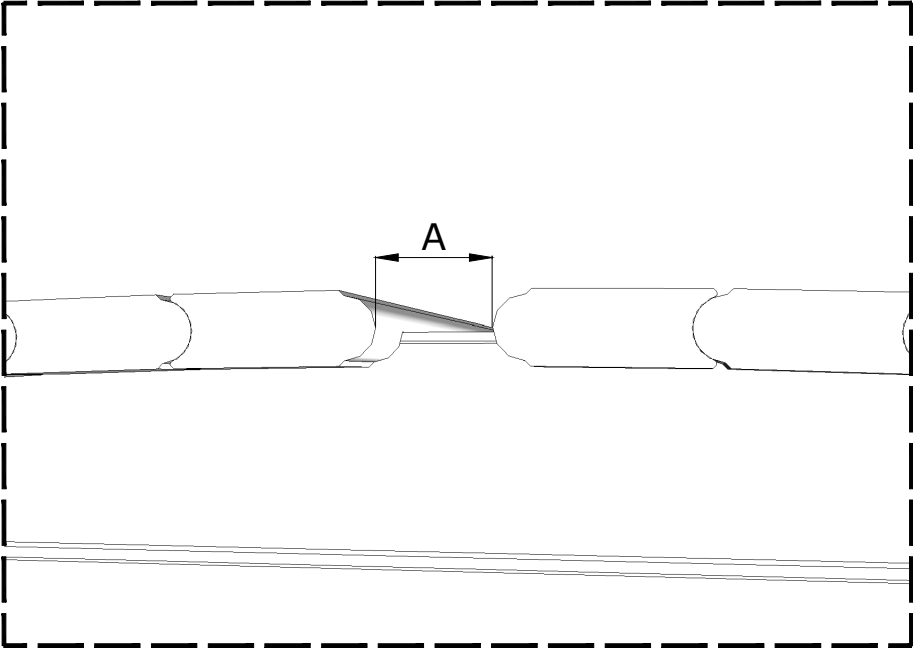


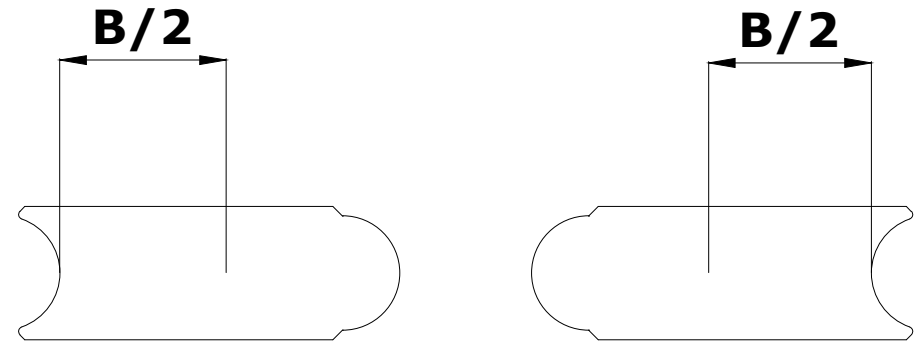
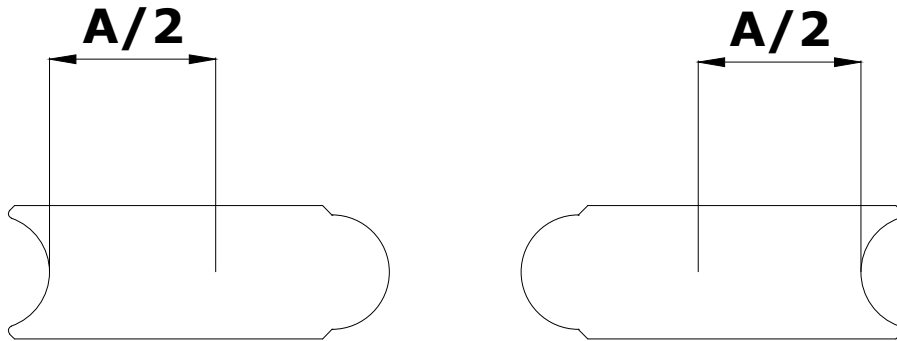
Use a rubber mallet to tap the
planks together

Please do not screw the last two whole planks straight away

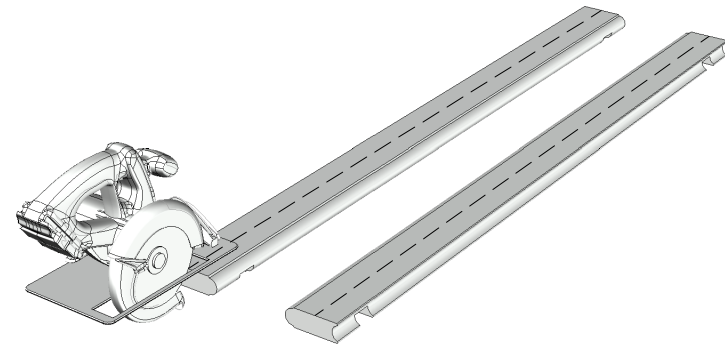


Please measure the gap at the front and back, the measurements may differ





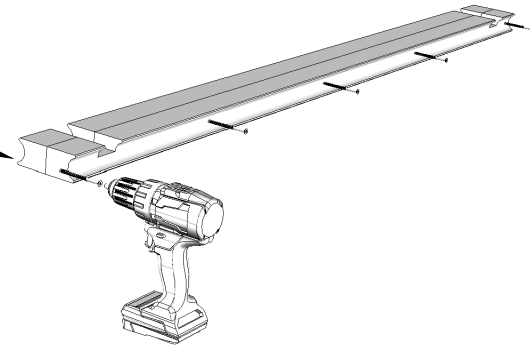
Divide the measurement by two and transfer the measurements to the last two planks. Connect the measurements on the plank with a line and cut .



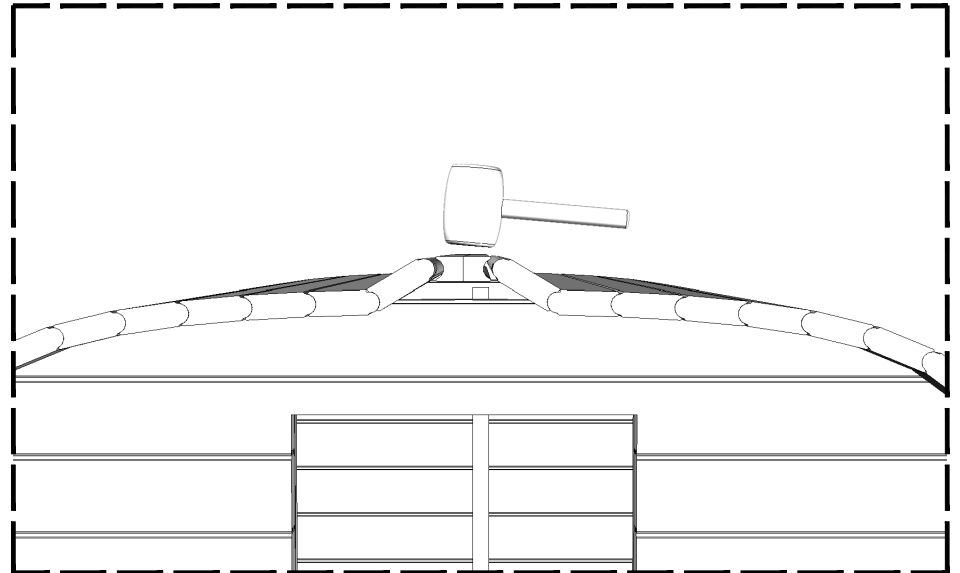
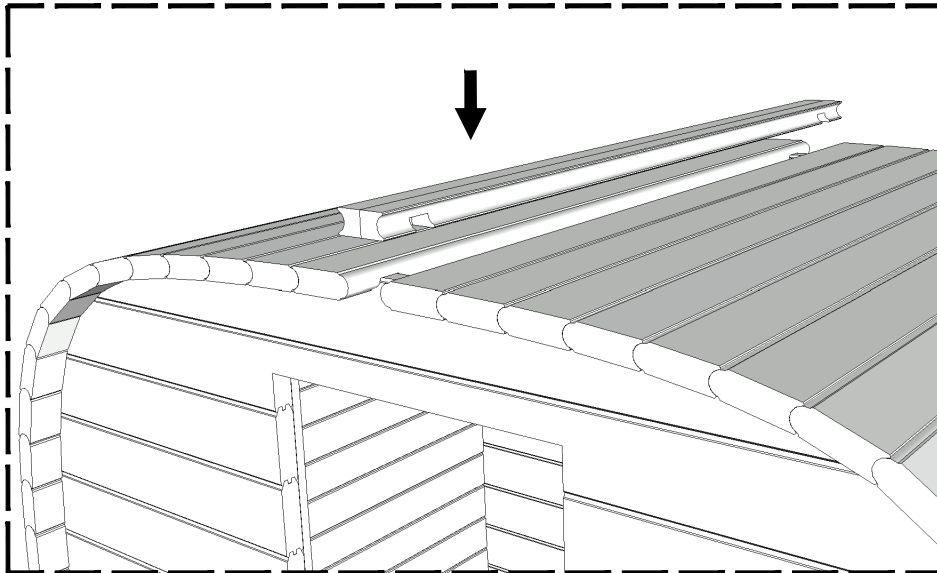
Screws

**5x 3x40 ...
4,5x80**

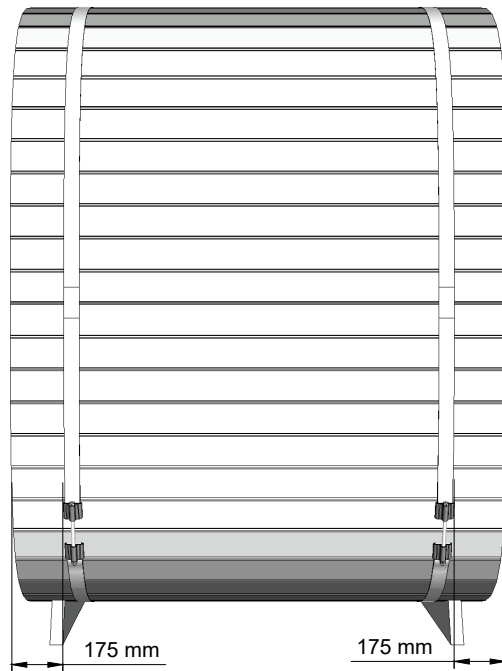
**Glue the two newly cut planks together
with wood glue and connect them with
5 pieces of 3x40 ... 4.5x80 screws**



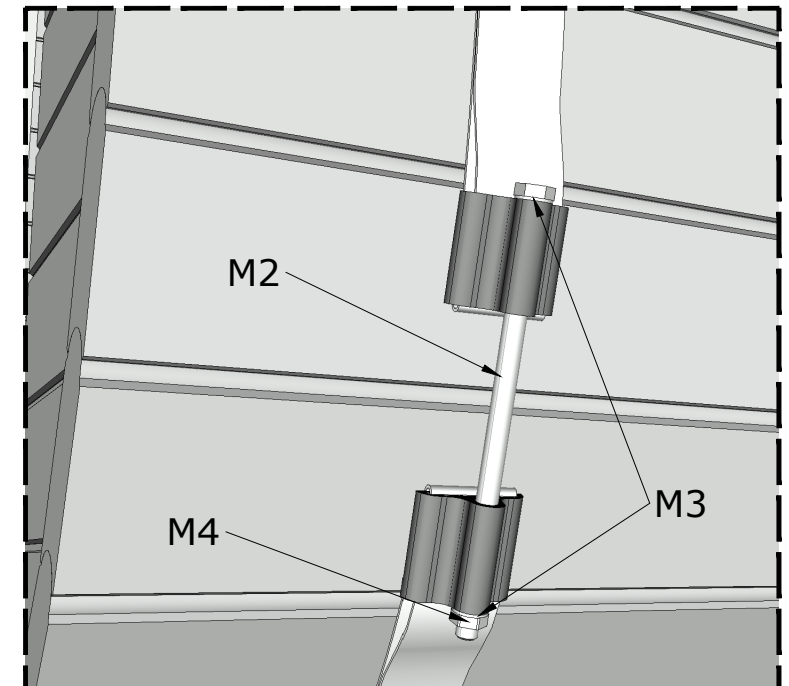
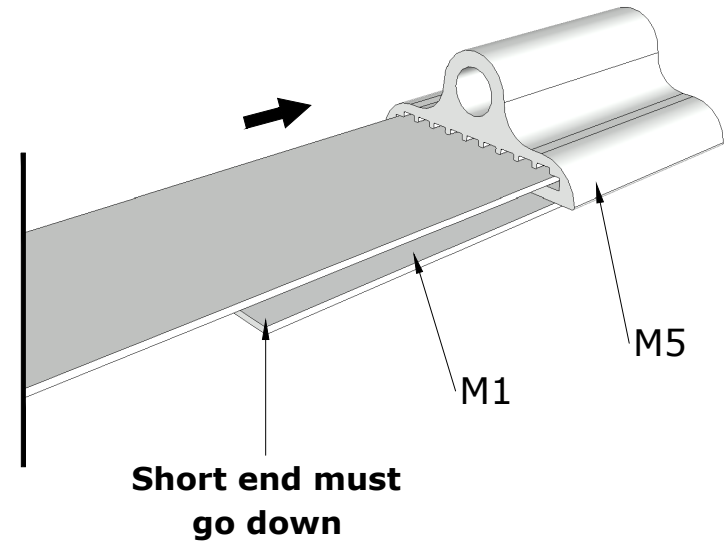
**The length of the screws depends on
the final width of the last two planks
cut**



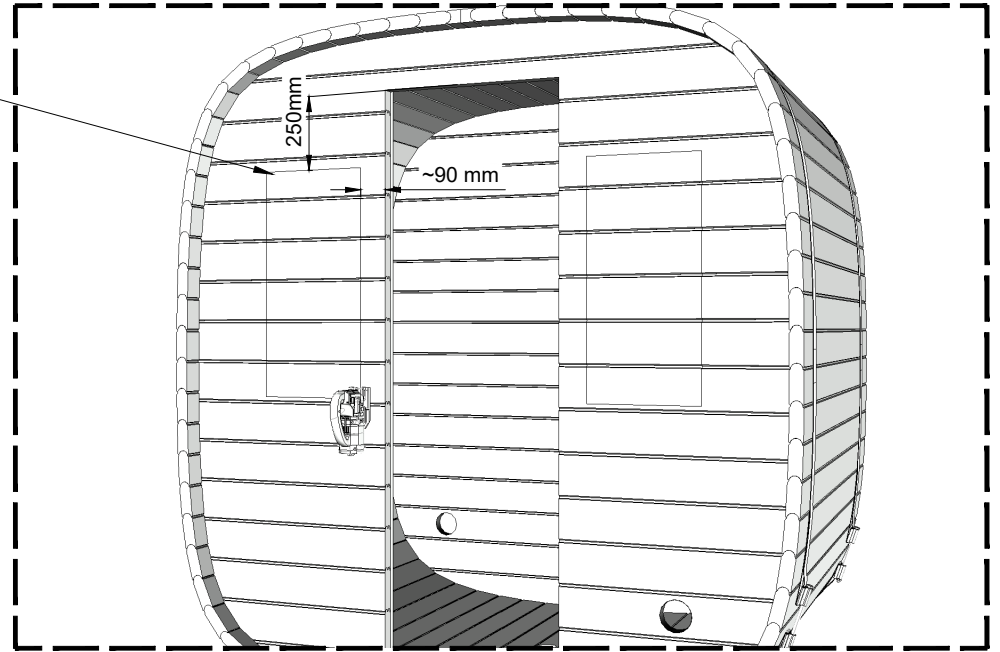
The hex nuts should be tightened until the wall studs are immobile in all directions



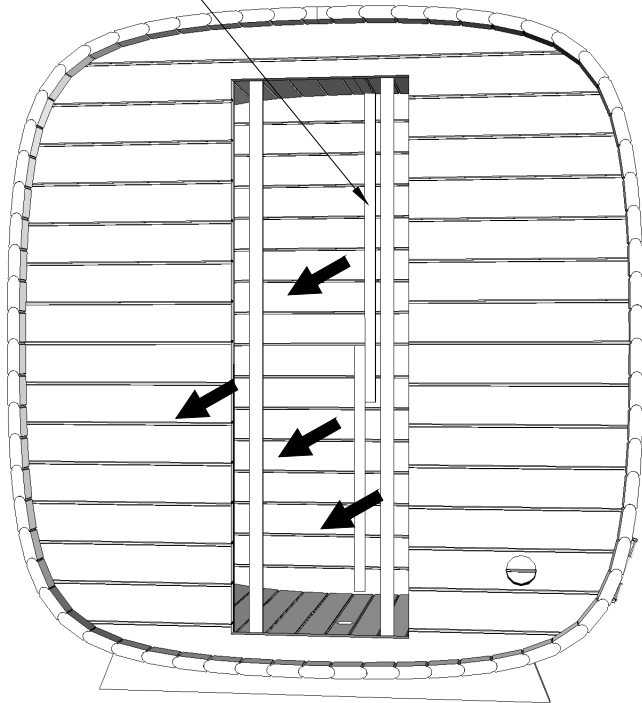
Place the steel straps around the barrel and thread the straps into the eyelet as follows (see sketch)



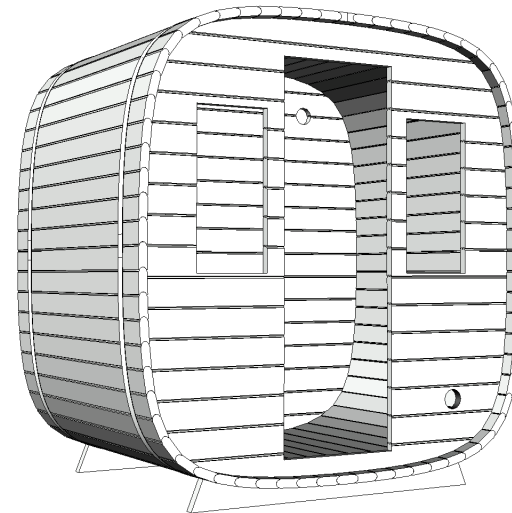
The top of the window should be 250mm lower than the top of the door



Remove the connecting strips from the walls



Cut window sections only if windows have been ordered

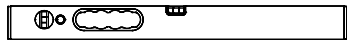


Screws

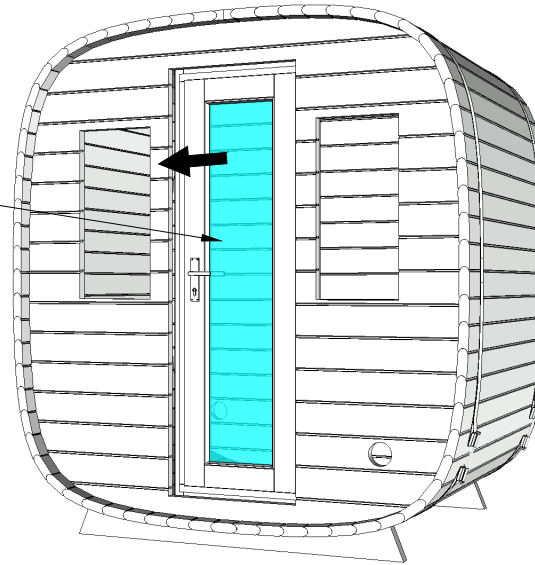
24x 4,2x75
16x 3x40

**Install the doors
from the inside**

NB! use a level

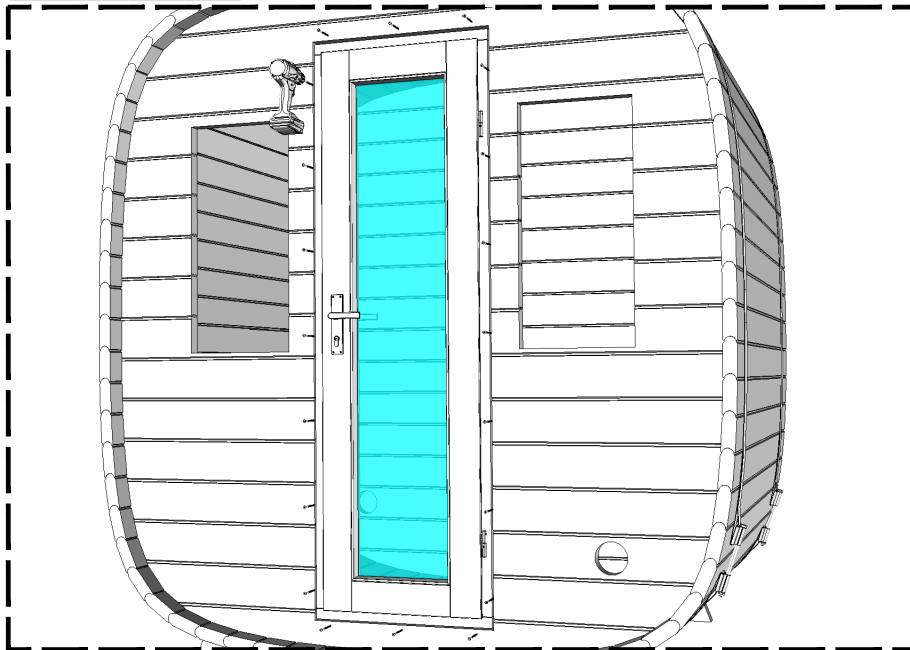


B7

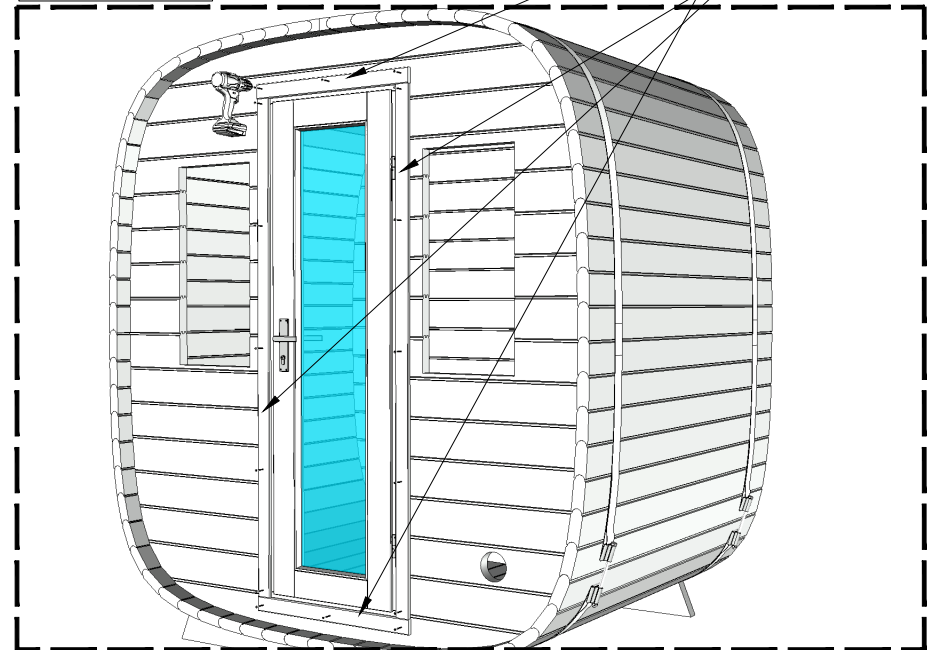


**Screw a screw screw into every second board
and three screws at the top and bottom on
both doors**

24x 4,5x75



16x 3x40

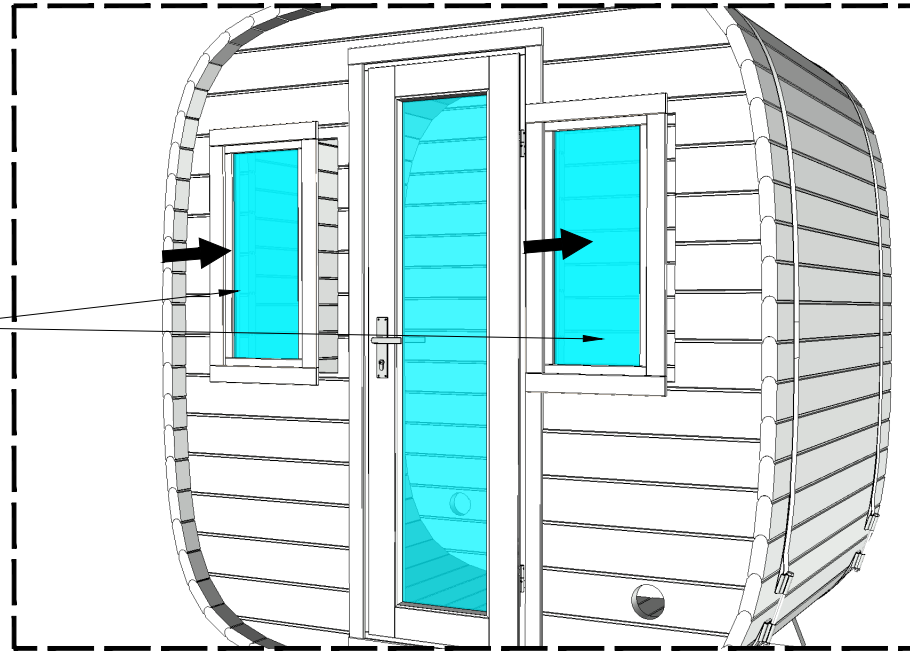


Screws

- 20x 4,2x55
- 20x 3x40

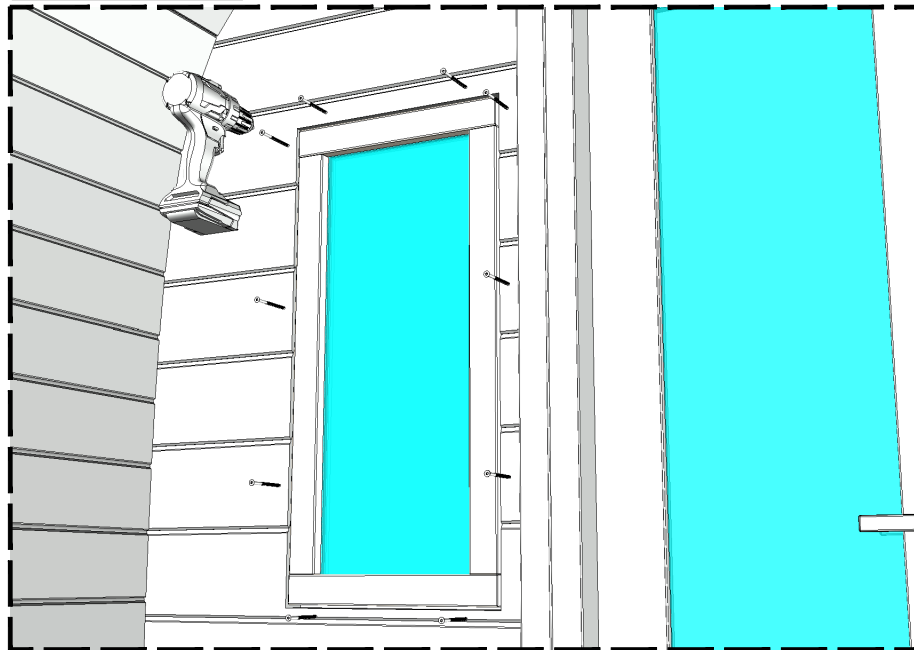
Install the windows from the outside

NB! use a level



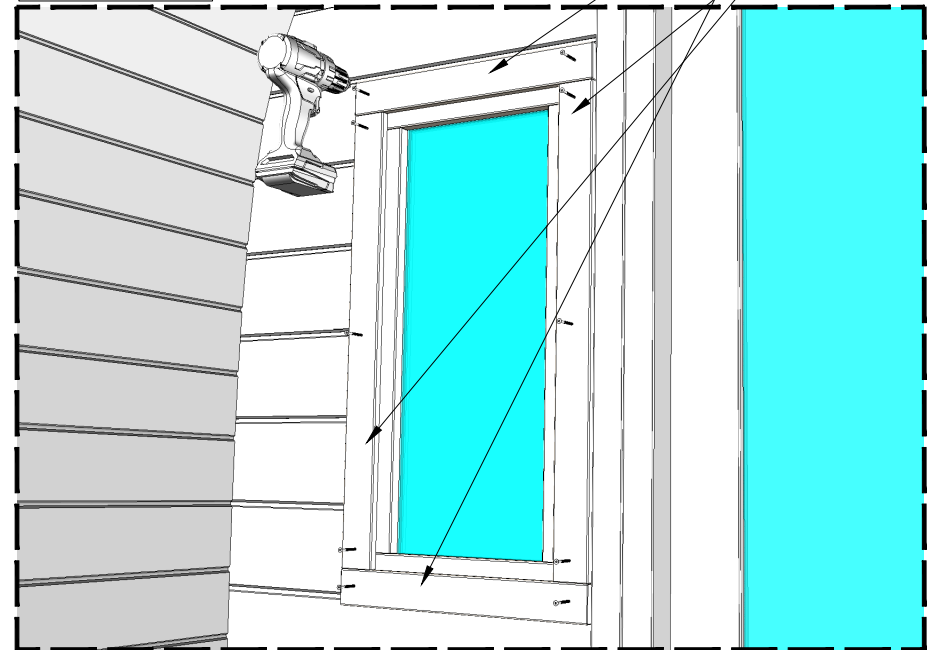
Screw a screw into every second board and two screws at the top and bottom

10x 4,5x55



From inside

10x 3x40



From inside

B8b

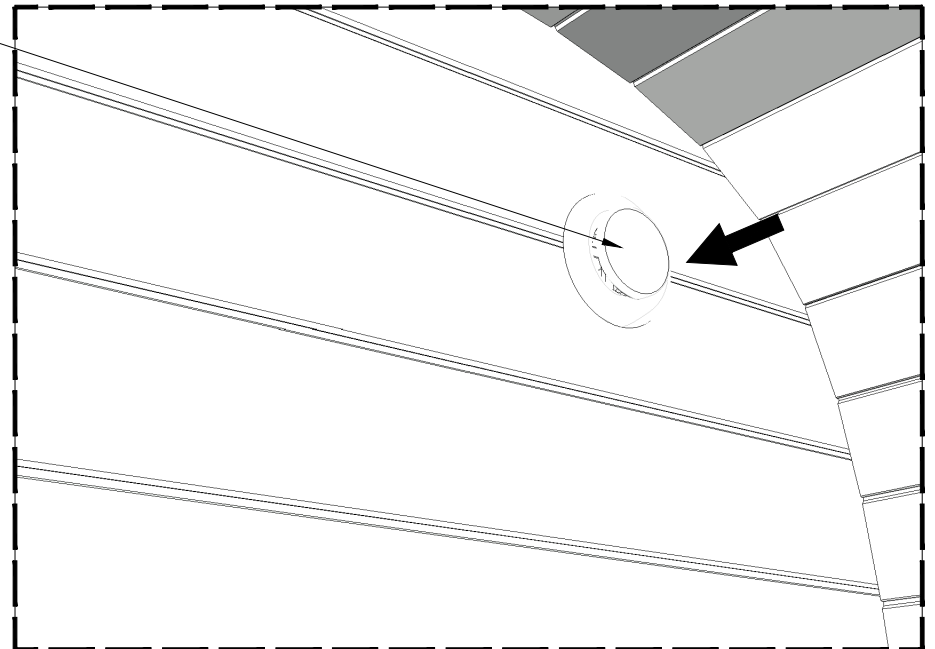
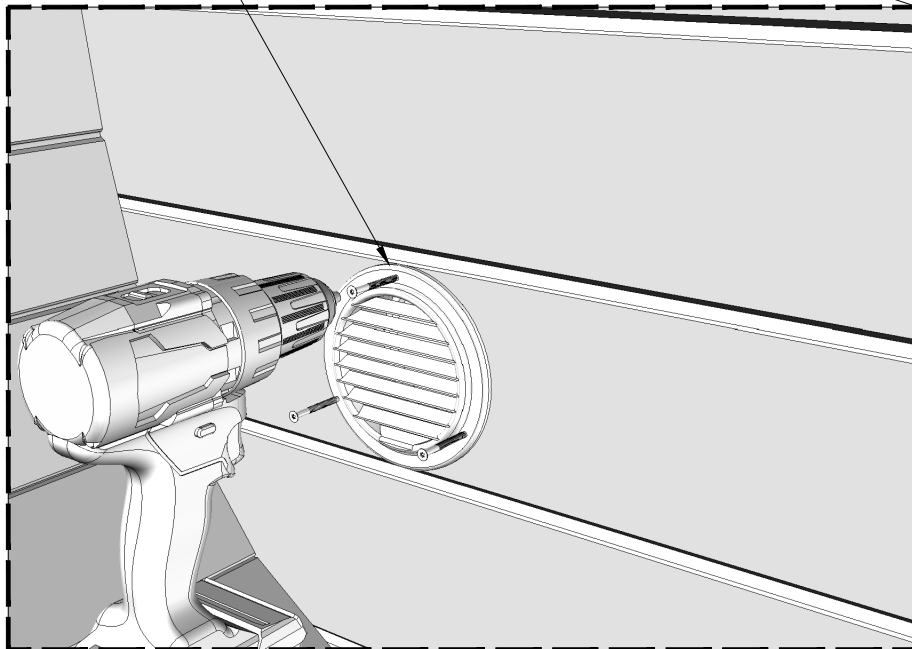
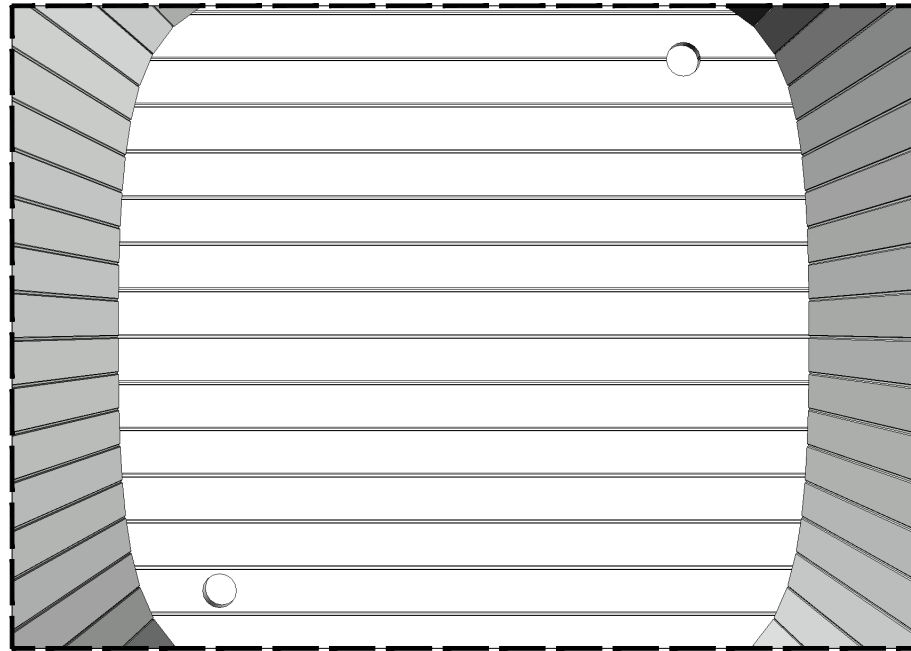
B8a

Screws

18x 3x30

**Mount V2
from both
sides with
3x30 screw**

**Mount V3 from
the inside with
3x30 screws
and V2 from the
outside**



Screws

22x 4,5x80

2x 4,5x60

Use glue and screws to fix
K28 and K55 to the wall

NB! use a level



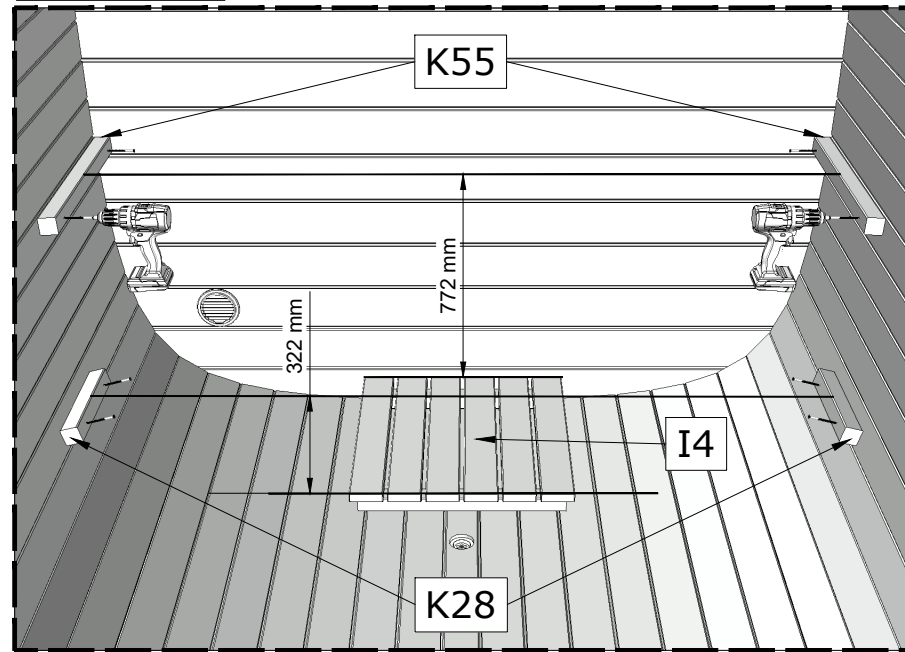
Attach K10 directly below (45mm) I1

Please drill with a 4mm drill bit before
screwing

The K40 are longer and need to be cut to
size

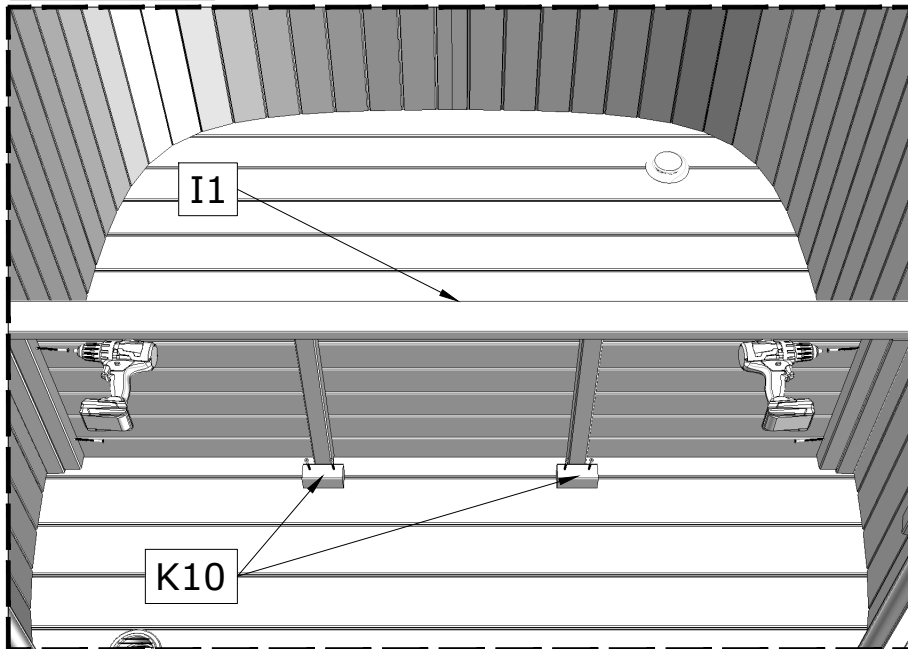
16

8x 4,5x80



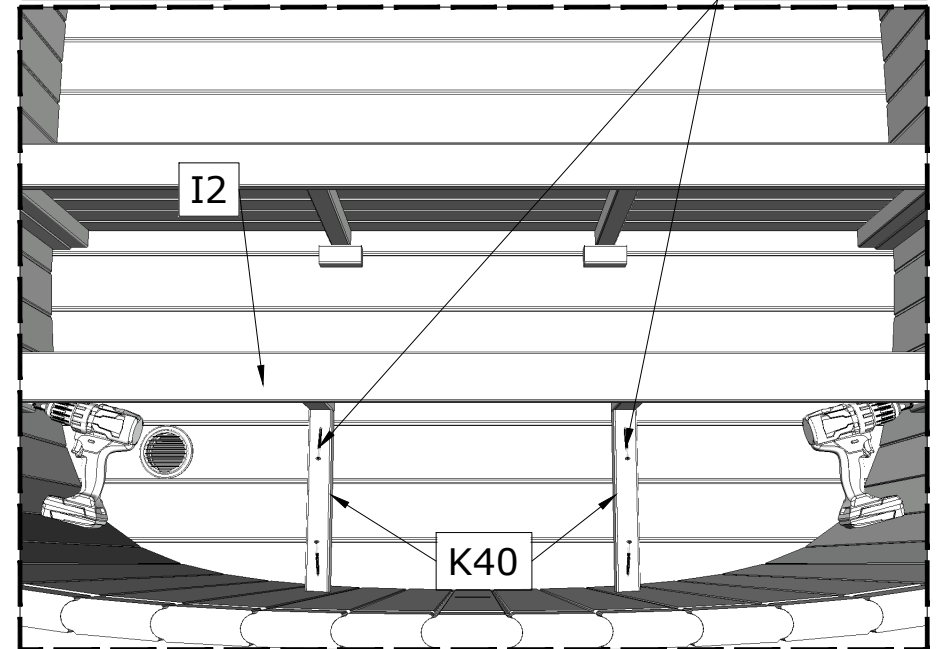
Use I4 to
measure the
height

8x 4,5x80



6x 4,5x80

2x 4,5x60



Screws

6x 4,5x80

2x 4,5x60

Mount K55 27mm down from top of I2

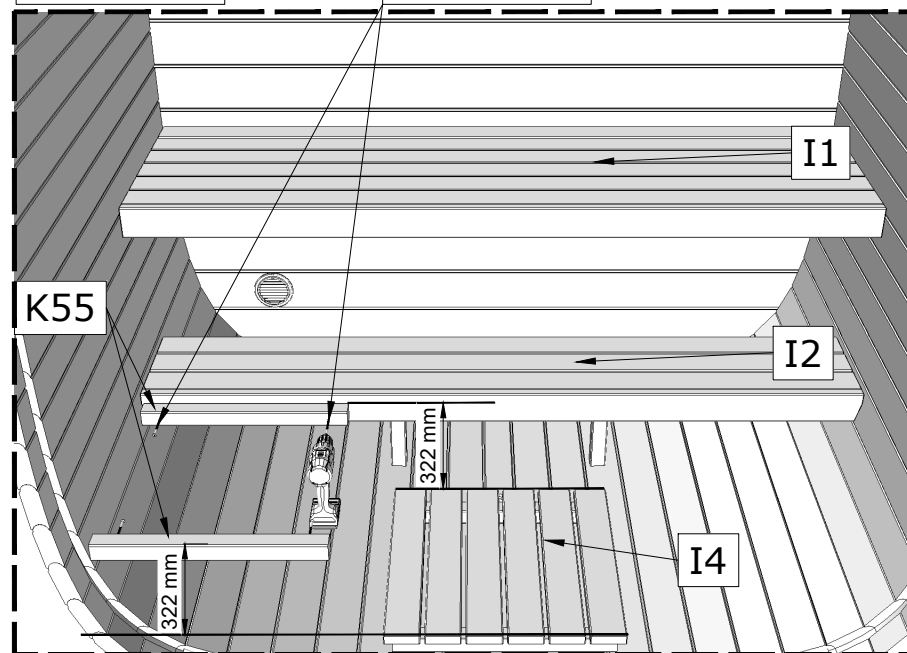
NB! use a level



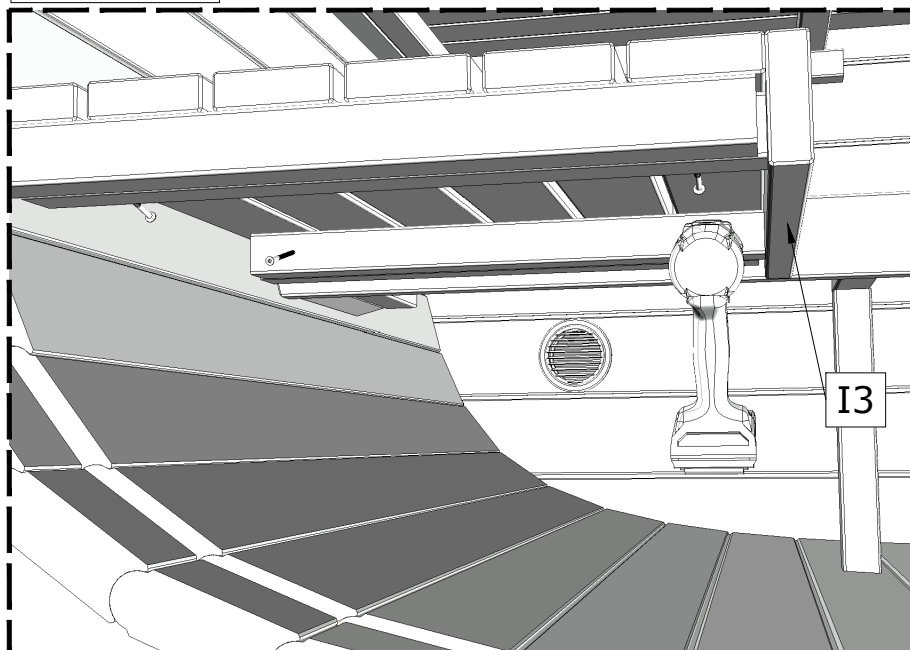
2x 4,5x80

2x 4,5x60

17



4x 4,5x80



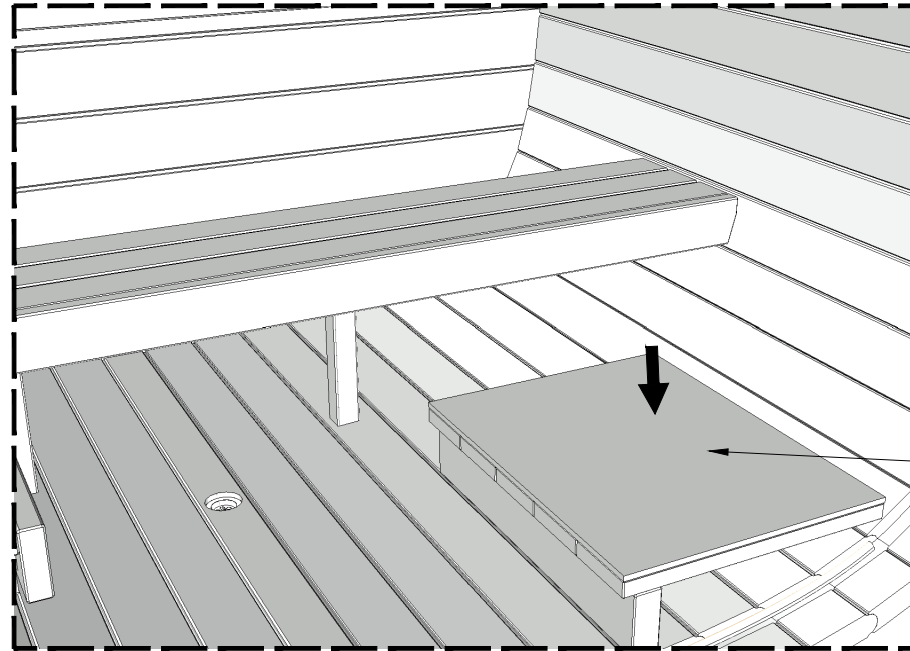
Use glue and screws to fix K55 to the wall

Use I4 to measure the height

Screws

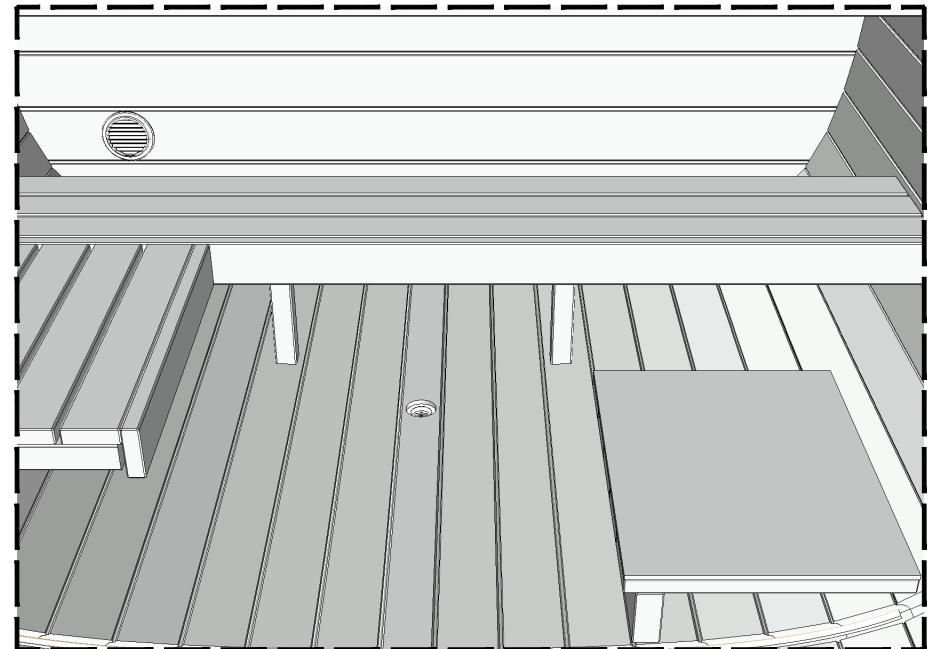
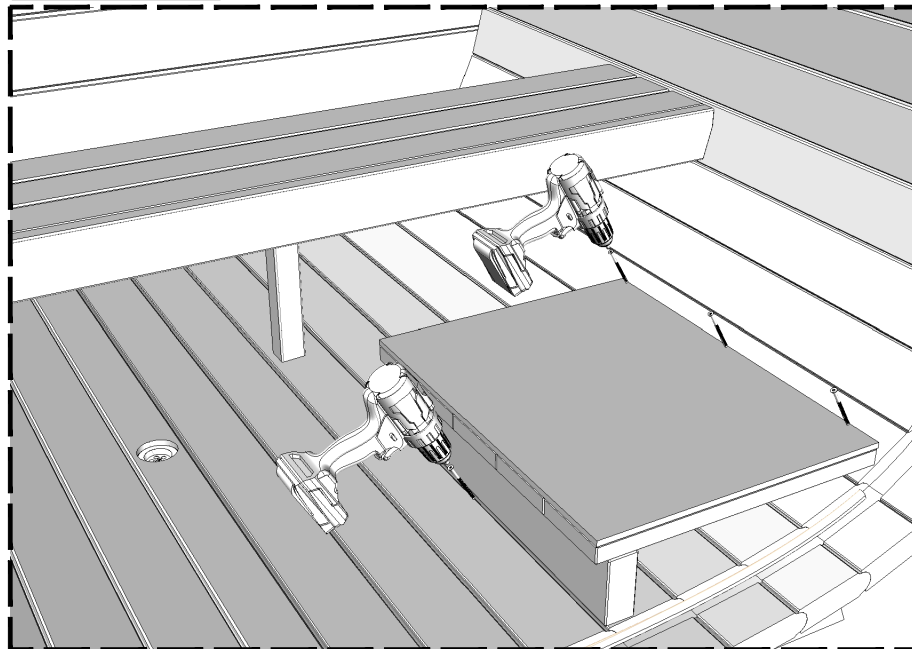
4x 4,5x80

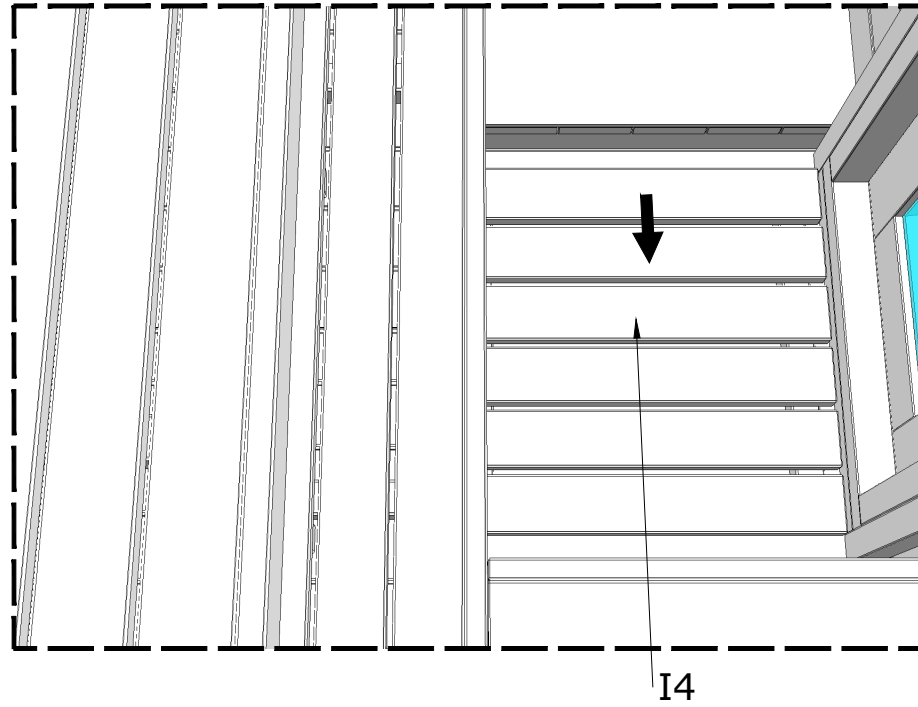
NB! use a level



15

4x 4,5x80





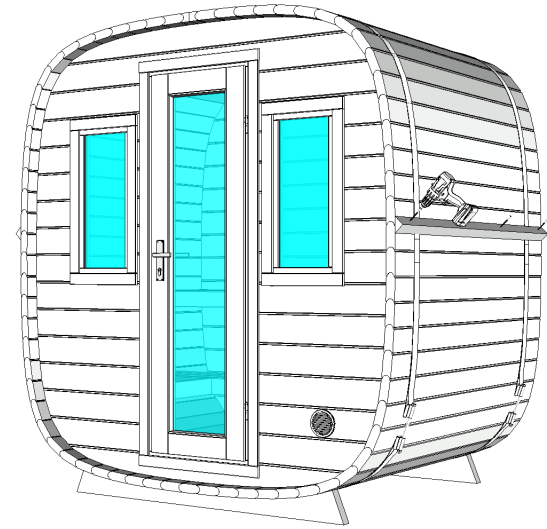
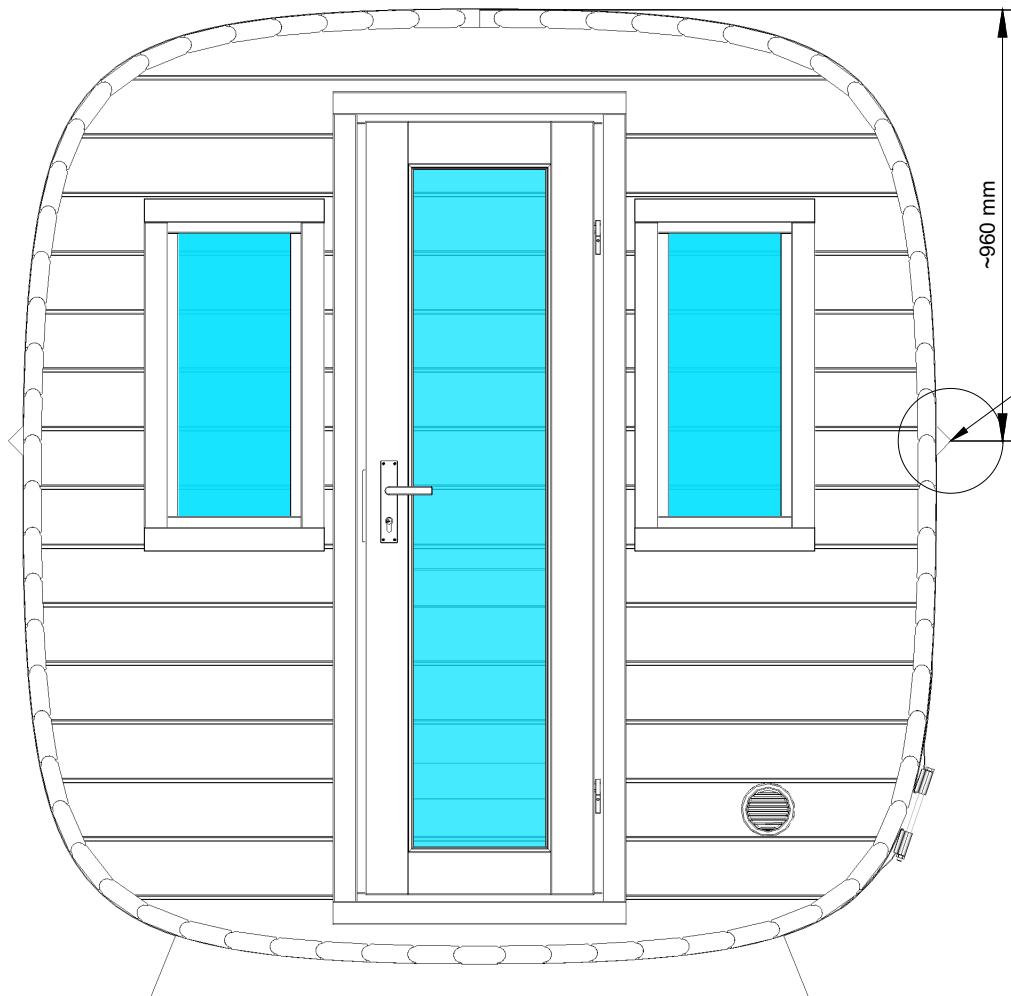
I4 is installed without screws so the floor can be cleaned

Screws

8x 4,5x60

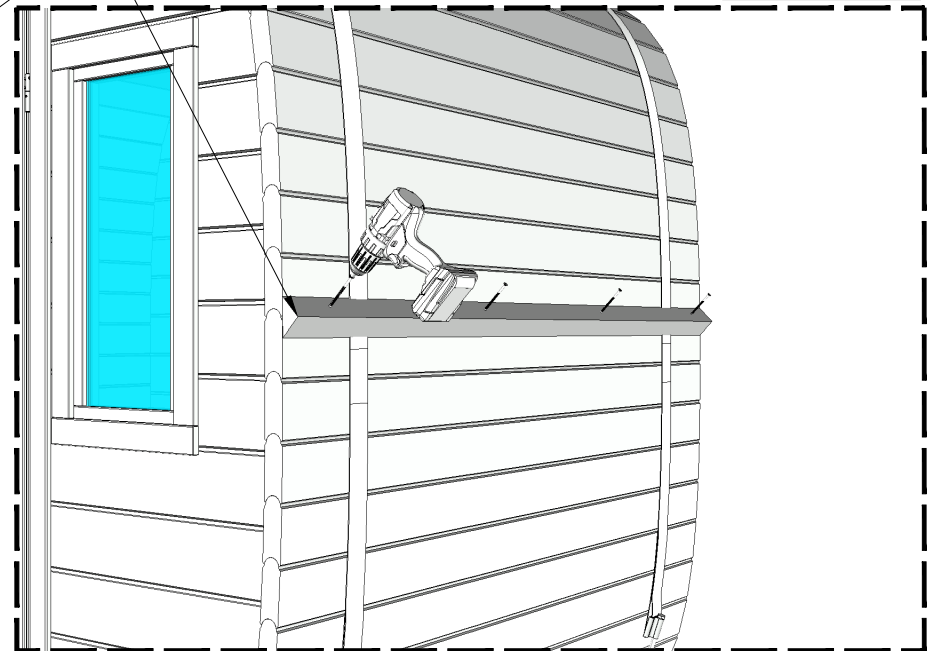
Install the DE on both sides of the exterior walls. Please install according to the measurements given!

NB! use a level



DE

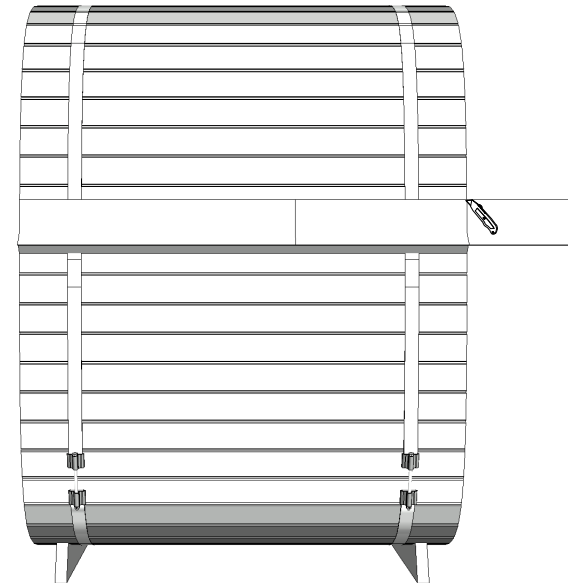
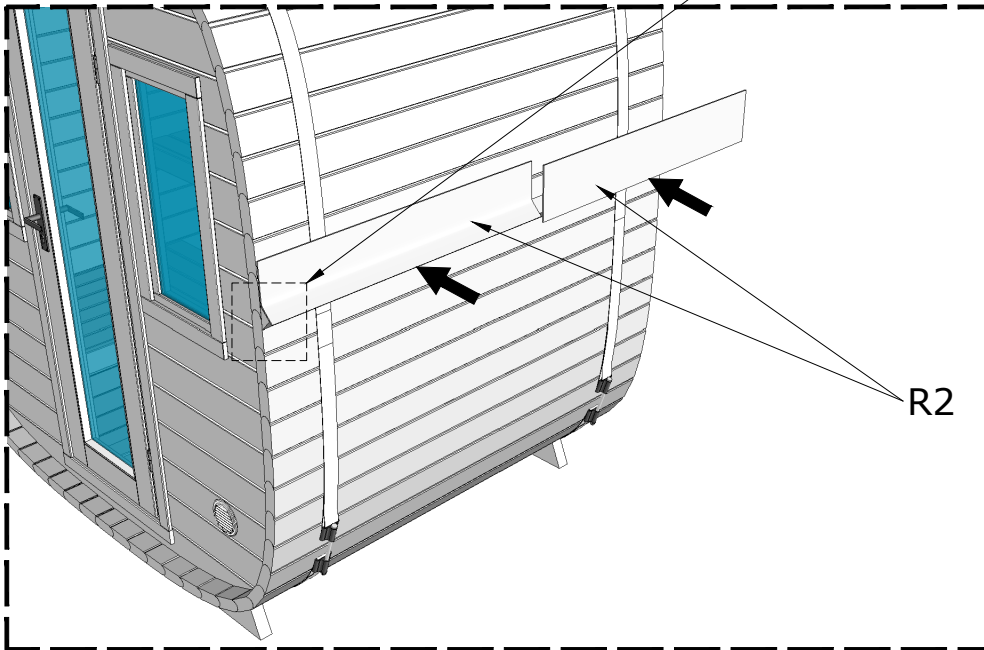
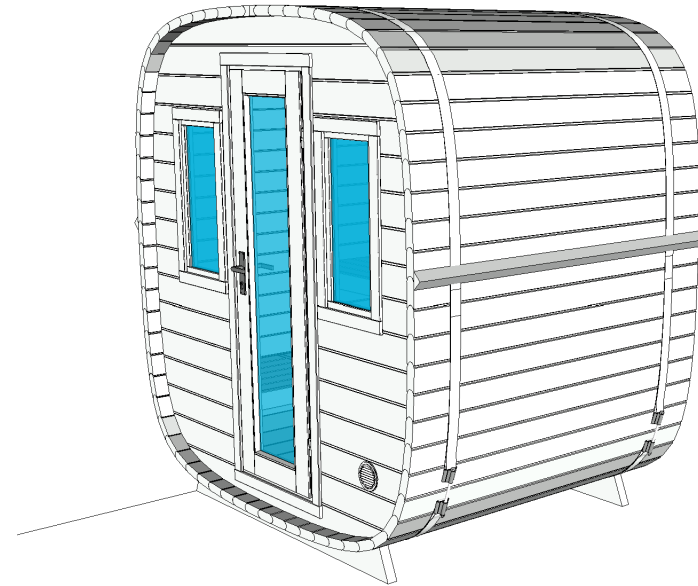
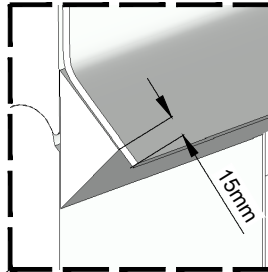
4x 4,5x60



Please start from both sides from below, both sides meet at the top in the middle

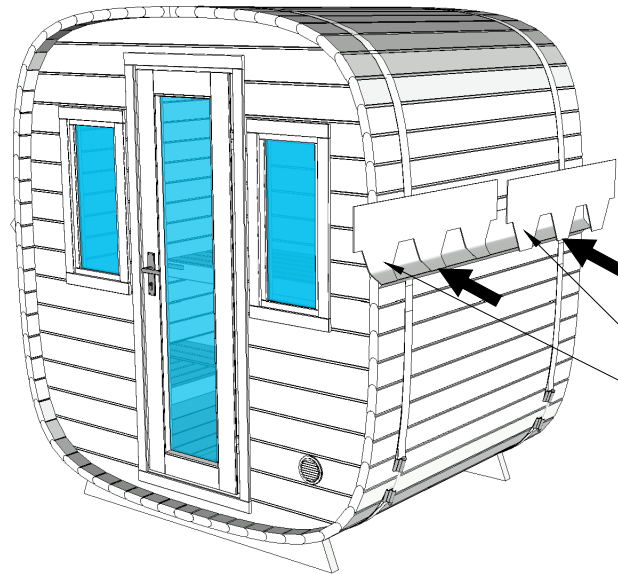
Let the roofing felt hang over DE by about 15 mm

Use small nails to install the roof shingles. Also use the roofing shingle manual as an aid to the proper installation of the shingles



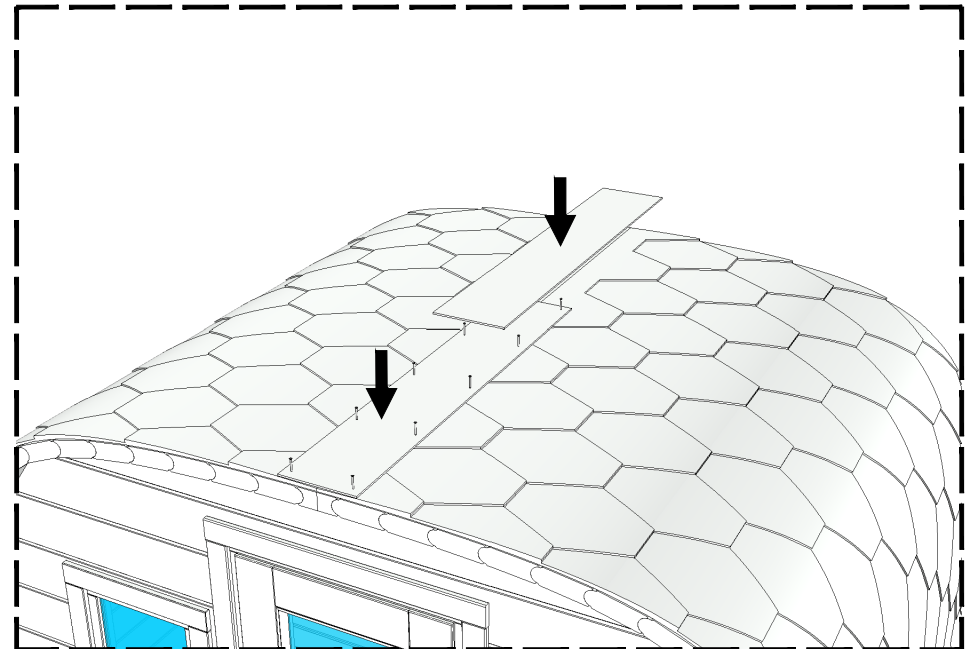
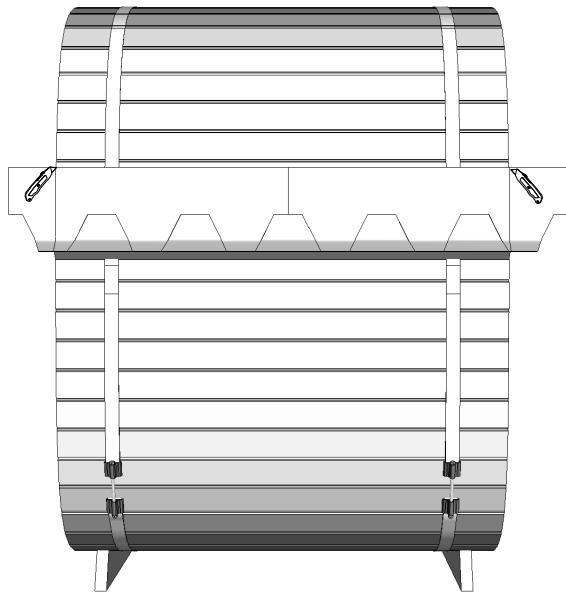
Please start from both sides from below, both sides meet at the top in the middle

Cut the last piece and use it to start the next row



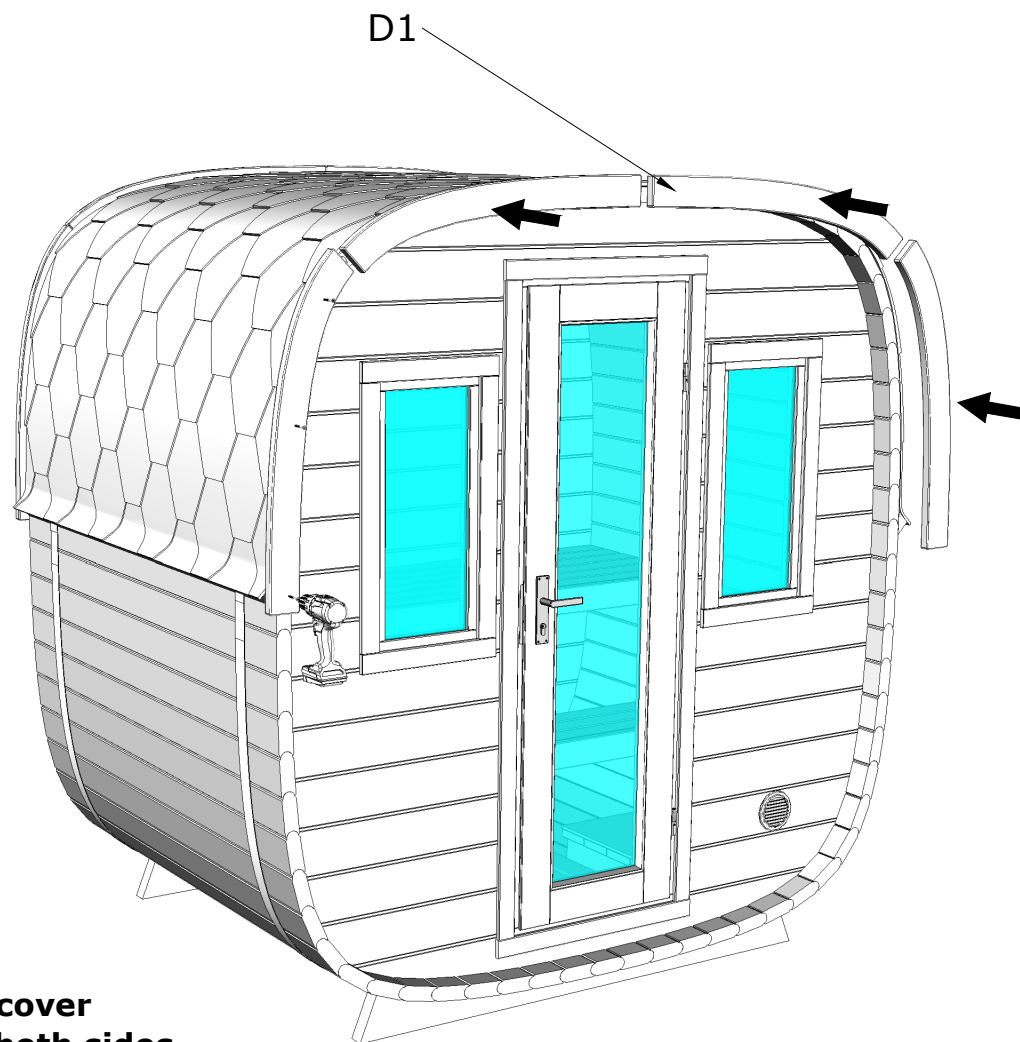
Use the nails described in the instructions for the shingles

Finish the roof shingle covering at the top with the shingles and cover the top end with R2, please overlap the shingles by at least 50mm



Screws

24x 4,5x80



**Screw the cover
boards on both sides**