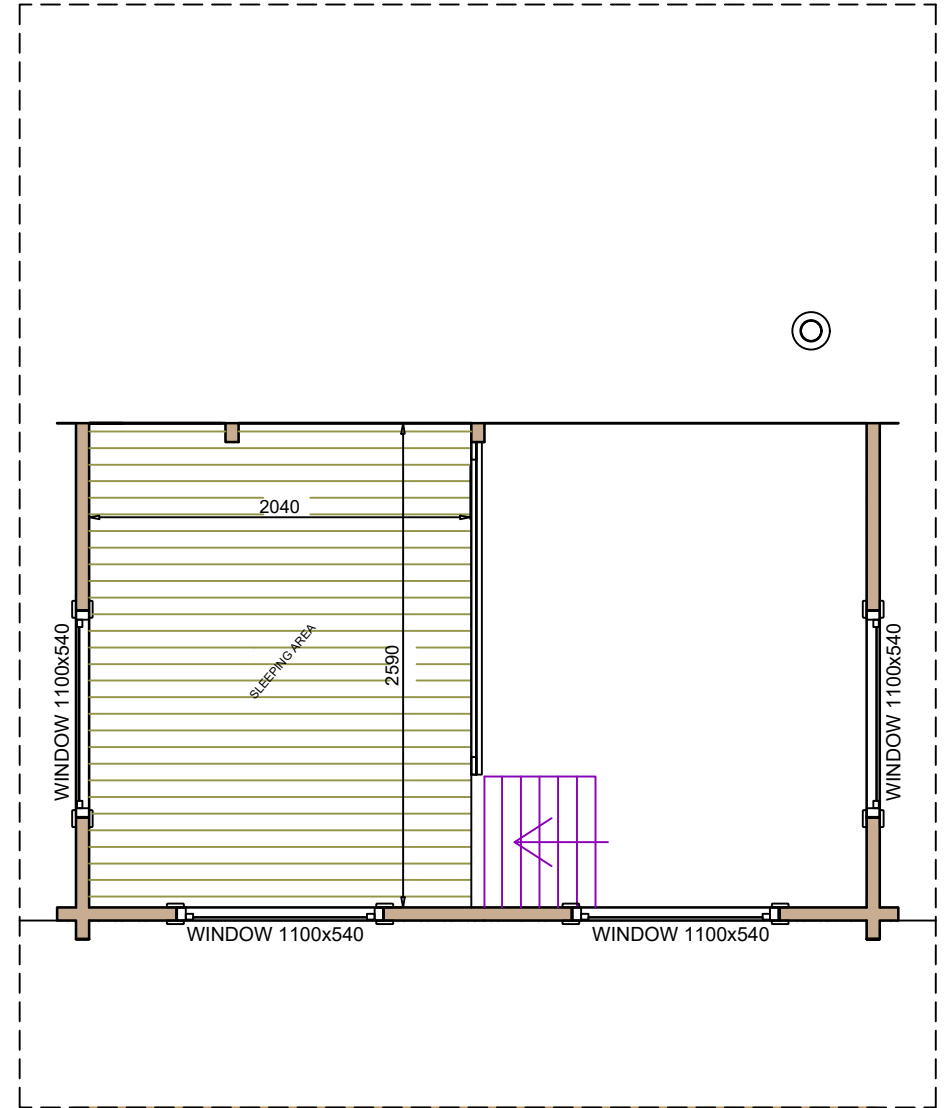
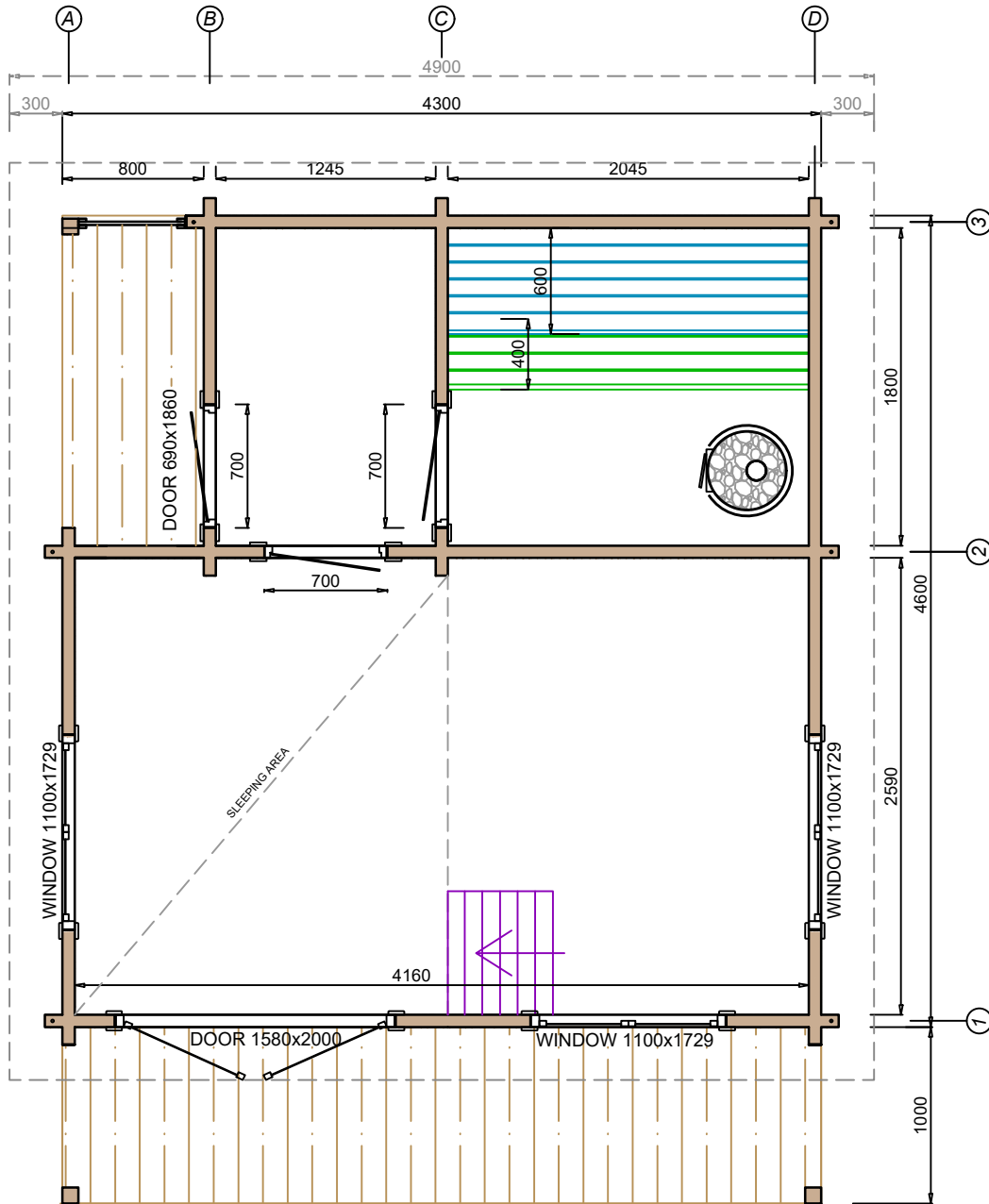


BERGEN

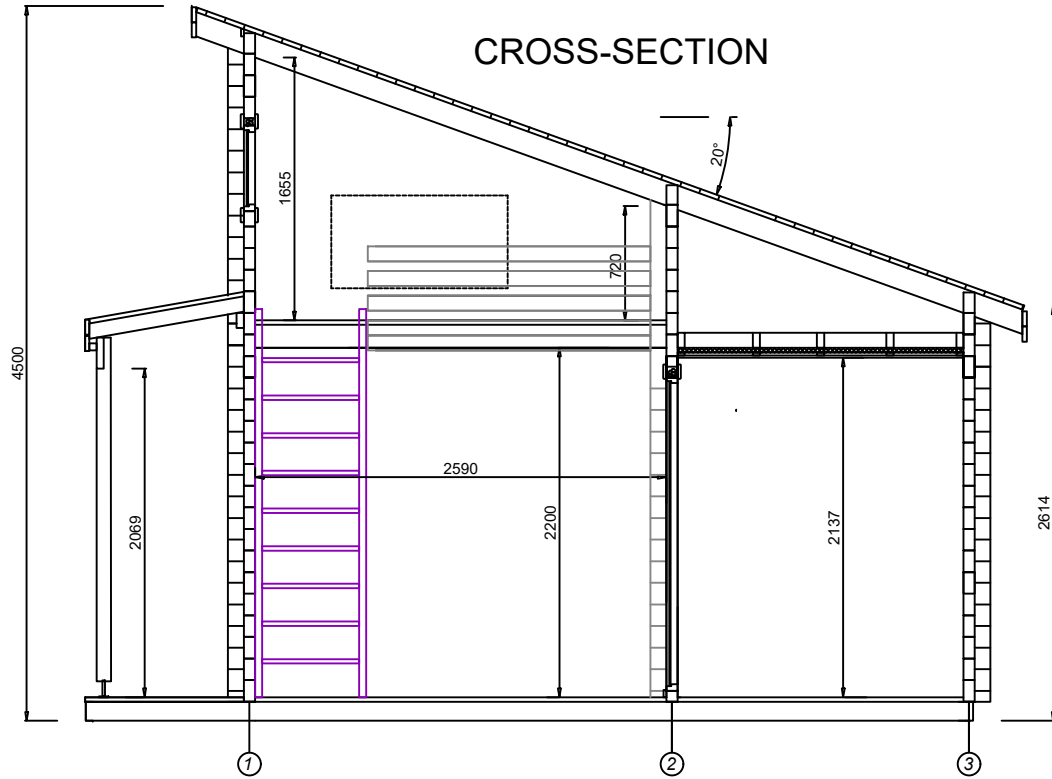
Installation drawings



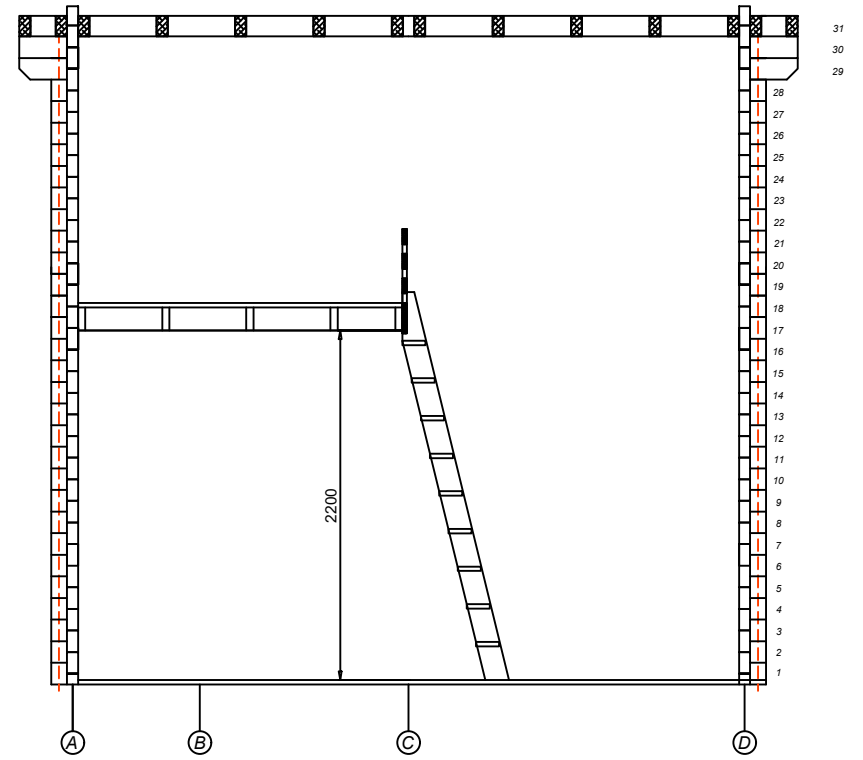
TOP VIEW



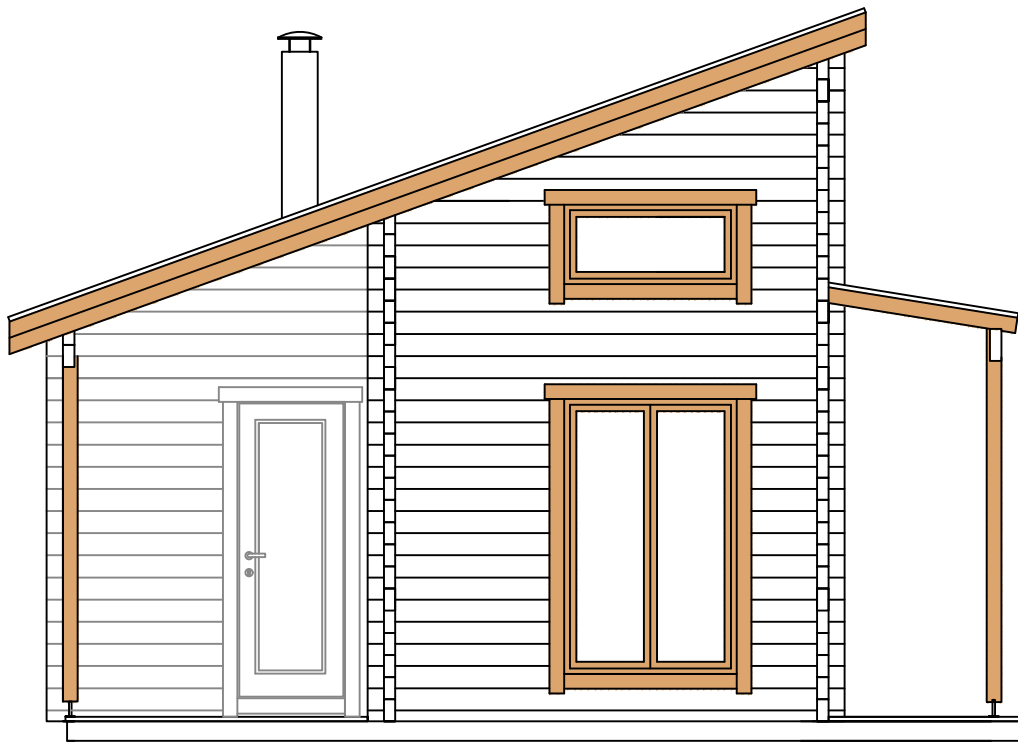
CROSS-SECTION



CROSS-SECTION



LEFT VIEW



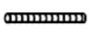
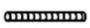
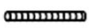
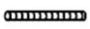
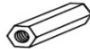




FRONT VIEW



INSTALLATION DRAWINGS "BERGEN"

marking			LENGTH	PCS	
WALLS					
	WALL LOGS 70x146				
	HAMMER BLOCK 70 MM			2	
CEILING / ROOF					
KL-1	28x121 ROOF BOARD		4900	50+4	
SR-1	70x145 ROOF RAFTER		5580	13	
SR-2	70x145 ROOF RAFTER		3380	1	
SR-3	45x145 ROOF RAFTER		1966	1	
LI-2	18x45 DISTANCE BOARD FOR CEILING BOARD		1795	8	
SL-2	STP 14x121 CEILING BOARD SAUNA ROOM		2042	18	
SL-3	STP 14x121 CEILING BOARD WASHING ROOM		1242	18	
SR-4	45x145 CEILING BEAMS FRONT ROOM		2585	5	
SR-5	45x95 CEILING BEAMS SAUNA AND WASHING ROOM		1795	8	
SL-4	28x95 COVERING BOARD FRONT CEILING		~2,6	2	
RL-1	28x95 ROOF EDGE BOARD	oversize	~5,1	10	
PP-1	18x45 FLOOR AND CEILING MOULDINGS	oversize	~4,5	18	
PP-2	18x45 BETWEEN THE ROOF RAFTERS		424	10	
EXTRA	45x45 EXTRA DETAIL		~3m +	1	
FLOOR					
AR-1	45x120 FLOOR FRAME		5585	2	
AR-2	45x120 FLOOR FRAME		4190	16	
AR-3	45x120 FLOOR FRAME		2145	2	
AR-4	45x120 FLOOR FRAME		400	4	
AR-5	45x95 FLOOR FRAME		2045	1	
PL-1	28x120 FLOOR BOARD FRONT ROOM		2585	37+5	
PL-2	28x120 FLOOR BOARD WASHING ROOM		1795	11+2	
PL-4	28x120 FLOOR BOARD SAUNA ROOM		1765	19+2	
PL-3	29x120 FLOOR BOARD LOFT		2040	23+3	
TR-1	28x120 DECKING BOARD		1870	7	

TR-2	28x120 DECKING BOARD	oversize	1020	40	
FRONT ROOF					
VK-1	45x95 RAFTER SUPPORT DETAIL		4160	1	
SR-VK	45x95 ROOF RAFTER		1004	9	
VK-2	45x195 RAFTER CARRIER		4300	1	
VK-3	45x45 SUPPORT DETAIL		4300	2	
KL-VK	29x120 ROOF BOARD		4300	10	
RL-VK	28x95 ROOF EDGE BOARD		~4,4+	4	
PL-VK	18x95 ROOF EDGE BOARD		4300	1	
DOORS-WINDOWS					
	WINDOW 1100x1729			3	
	WINDOW 1100x540			4	
	DOOR 1580x2000 2-PART			1	
	GLASS DOOR 690x1980 WASHING ROOM			1	
	GLASS DOOR 690x1980 SAUNA ROOM			1	
UK-1	18x95 DOOR MOULDING		2015	4	
UK-2	18x95 DOOR MOULDING		1960	8	
UK-3	18x95 DOOR MOULDING		910	6	
extra	18x95 DOOR MOULDING		~2,4+	2	
TE-1	28x30 FIXING FILLET		2000	2	
TE-2	28x30 FIXING FILLET		1820	4	
TE-3	28x30 FIXING FILLET		1700	2	
TE-4	28x30 FIXING FILLET		1569	6	
TE-5	28x30 FIXING FILLET		490	8	
	LADDER 700x2532			1	
	BENCH SET + SUPPORTS			1	
POST-1	90x90 CORNER POST		2184	1	
POST-VK	90x90 CORNER POST		2164	2	
VS-1	GRID WALL 605x2140			1	
	28x95 RAILING FOR LOFT		1780	5	

	28x95 RAILING FOR LOFT		655	4	
	WATER DRAINAGE GUTTER			1	
	VENTILATION LOUVER WOOD D100			2	
	VENTILATION GRID D100			4	
	PIR INSULATION 30x600x1200			9	
	FOIL TAPE			1	
	THREADED ROD M10 L=2000			8	
	THREADED ROD M10 L=1170			2	
	THREADED ROD M10 L=610			2	
	THREADED ROD M10 L=120			2	
	LENGTHENING BOLT FOR TREADED ROD			8	
	DRIVE NUT FOR TREADED ROD			6	
	PLAIN WASHER FOR TREADED ROD			6	
	NUT FOR TREADED ROD			6	
	METAR CORNER FOR GRID WALL VS-1			5	
	METAL BRACKET 40x40 FOR FRONT ROOF			18	
	POST HEIGHT ADJUSTMENT FOR NP-1			3	
	PLAIN WASHER M5 FOR METAL CORNER			6	
	NAIL 1.4x40 FOR CEILING BOARD				
	ROOF NAIL 75MM			~1200	
	BEAM BRACKET 45x97 (SAUNA AND WASHING ROOM)			8	
	BEAM BRACKET 45x137 (LOFT BEAMS)			10	
	SCREW 3,5x40 A2 STAINLESS FOR MOULDINGS			600	
	SCREW 4,2x55 A2 STAINLESS FOR DECKING			400	
	SCREW 4,5x70 ASSY FOR ROOF EDGE			400	
	SCREW 5,0x90 ASSY FOR FLOOR FRAME AND WALL LOGS			200	
	SCREW 3,5x50 BROWN FOR FLOOR BOARD			600	
	SCREW 4x50 FOR FIXING FILLET			200	
	SCREW 4,5x80 FOR BENCH SUPPORTS AND GRID WALL			400	
	SCREW 5,0x120 FOR CEILING BEAMS			200	

	SCREW 5,0x120 FOR FIRST WALL ROW			200	
	SCREW 5,0x120 FOR FRONT ROOF RAFTERS			100	
	SCREW 6,0x180 FOR ROOF RAFTERS			400	
	SCREW 4,8x40 FOR METAL CORNERS			300	

	HOLE		001 Extra	1 pcs 2 pcs	
	HOLE		001B	1 pcs	
	HOLE		002	1 pcs	
	HOLE		002B	1 pcs	
	HOLE		003	1 pcs	
	HOLE		003B	1 pcs	

			004	4 pcs	
			004A	1 pcs	
			004B	1 pcs	
			004C	1 pcs	
	HOLE		005	8 pcs	
	HOLE		005B	1 pcs	

	HOLE		006	5 pcs	
	HOLE		006B	1 pcs	
	HOLE		006C	1 pcs	
			007	1 pcs	
	HOLE		008	16 pcs	
			009	12 pcs	

			010	4 pcs	
			010A	1 pcs	
			010B	1 pcs	
			010C	1 pcs	
			010D	1 pcs	
			011	2 pcs	

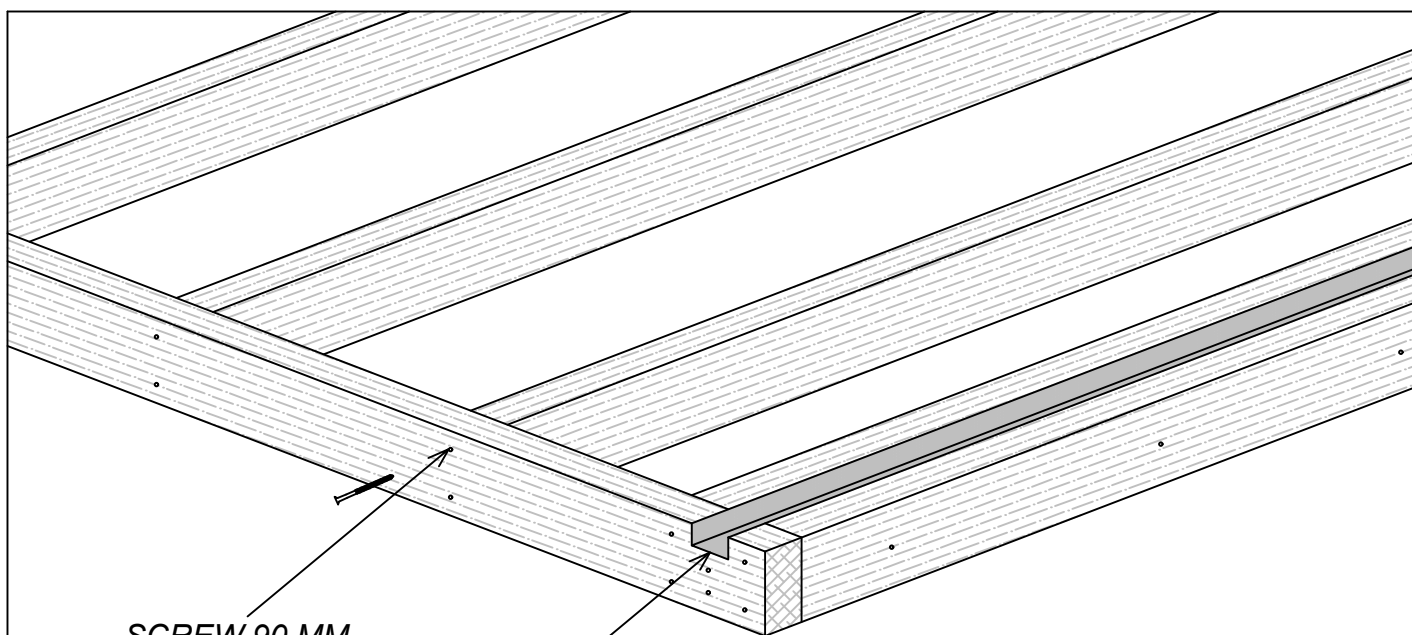
	HOLE		012	14 pcs	
	HOLE		013	2 pcs	
			014	1 pcs	
			015	2 pcs	
			016	6 pcs	
			016A	2 pcs	
			016B	1 pcs	
			016C	1 pcs	
			017	1 pcs	
			018	2 pcs	
			019	2 pcs	

			020	1 pcs	
			021	2 pcs	
			022	2 pcs	
	HOLE		023	15 pcs	
			024	1 pcs	
			025	44 pcs	
			026	2 pcs	

			027	2 pcs	
			028	4 pcs	
			029	13 pcs	
			030	2 pcs	
			031	2 pcs	
			032	32 pcs	
	HOLE		033	21 pcs	
	HOLE		034	15 pcs	

			035	4 pcs	
			036	2 pcs	
			037	28 pcs	
			038xx	~8 jm	<p>424 mm - 15 pcs 300 mm - 1 pcs 160 mm - 3 pcs 70 mm - 1 pcs</p>
			038B	1 pcs	
			039xx	~4 jm	<p>424 mm - 7 pcs 160 mm - 2 pcs</p>
			039B	1 pcs	
			040	1 pcs	

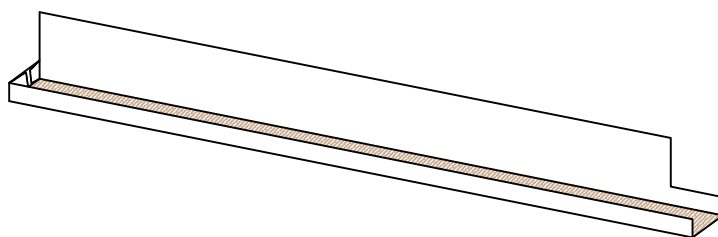
FLOOR FRAME



SCREW 90 MM

CUTOUT 45x25
FOR WATER DRAINAGE

INSTALL THE WATER DRAINAGE DETAIL BEFORE FLOOR BOARDS
FIX WITH FLOOR MOULDING



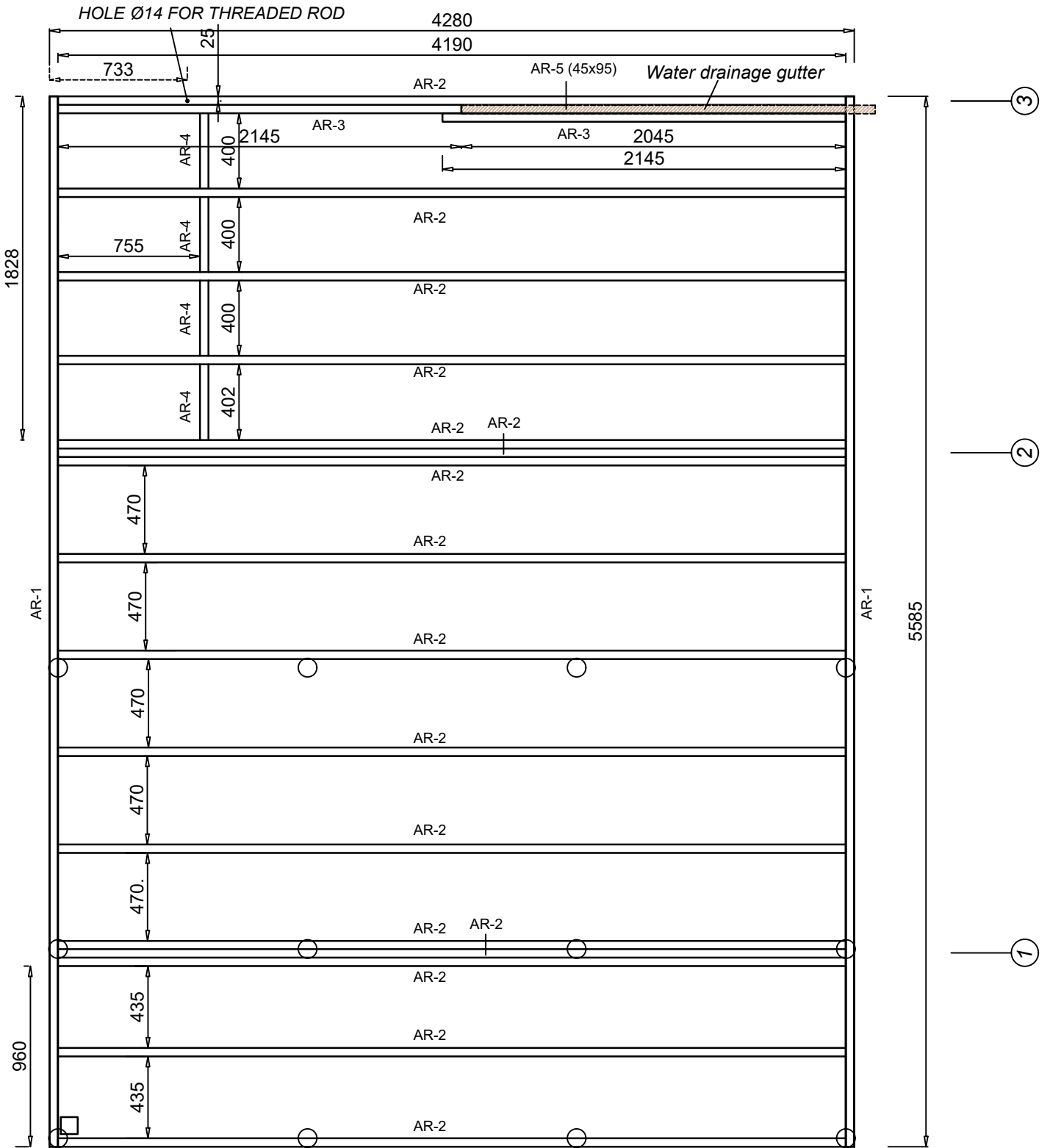
A

B

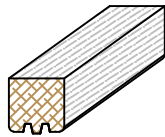
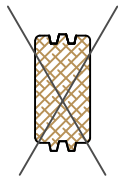
C

D

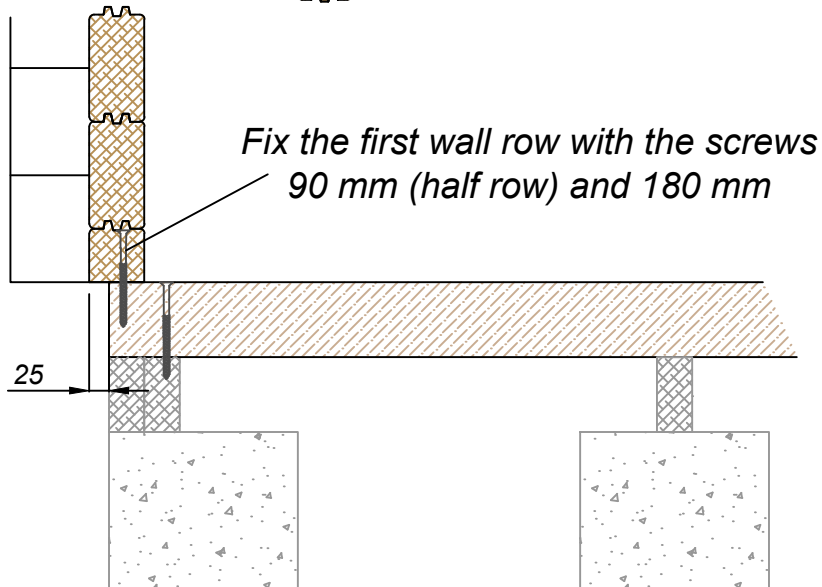
FLOOR FRAME 45x120



FIRST ROW

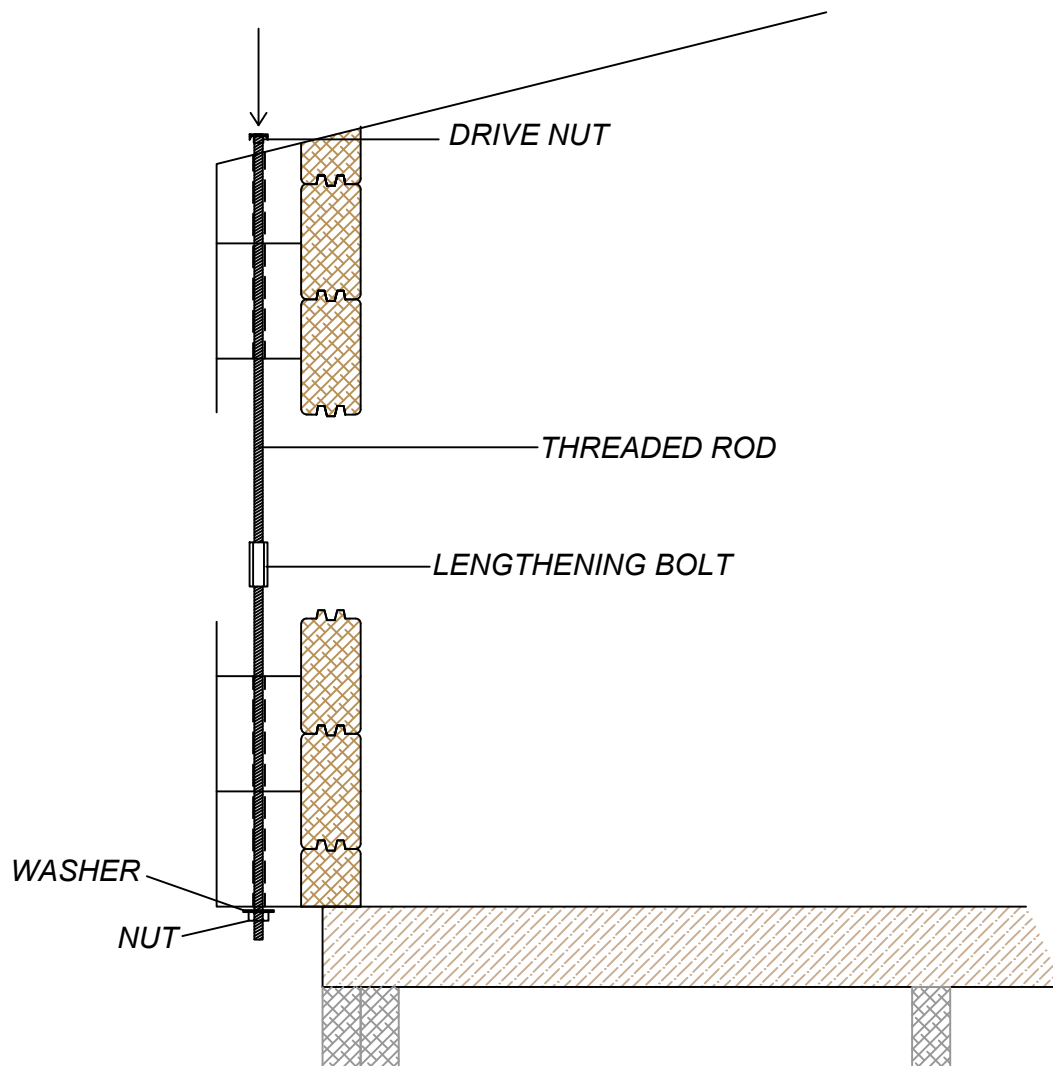


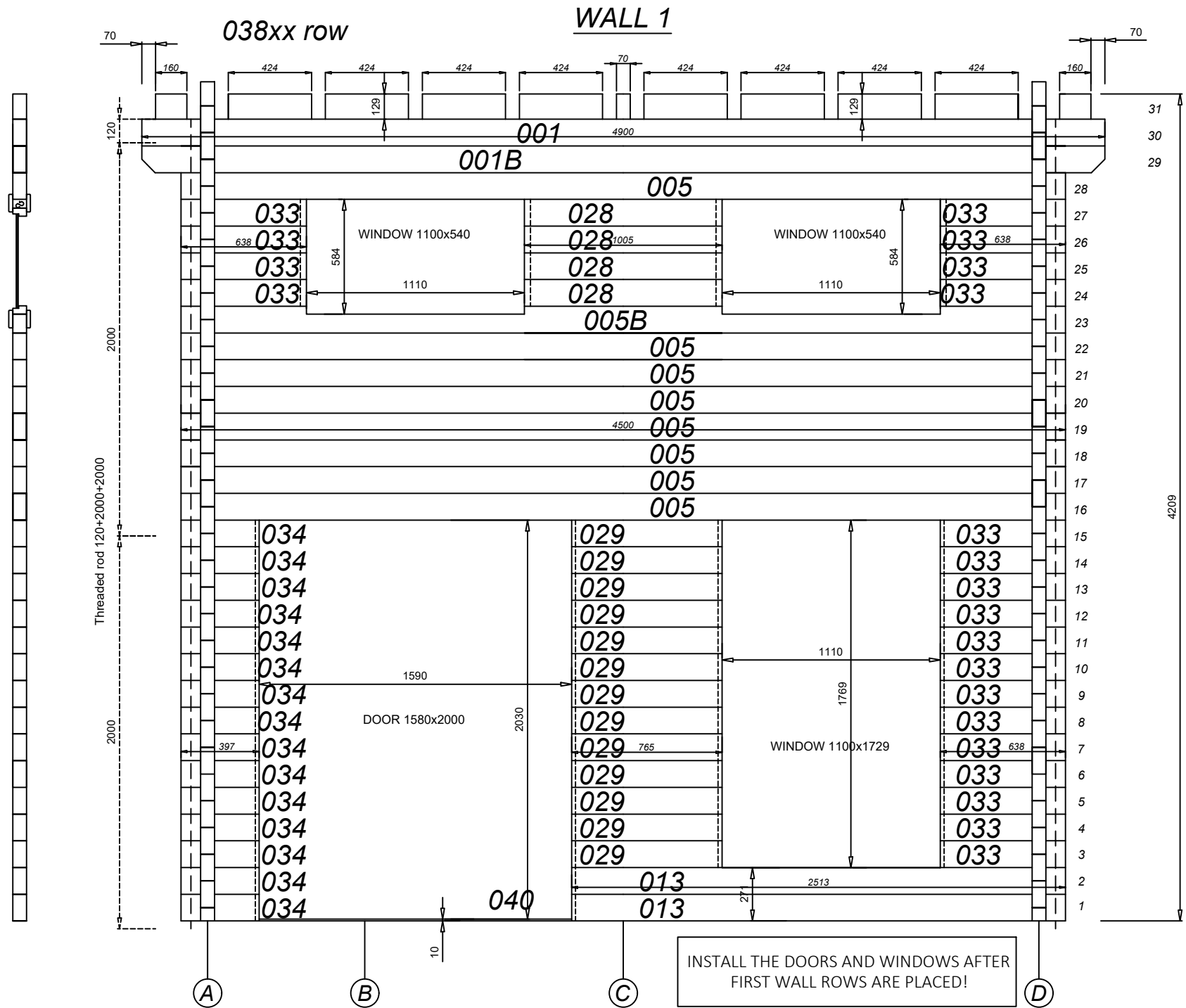
Use rubber hammer and hammer block



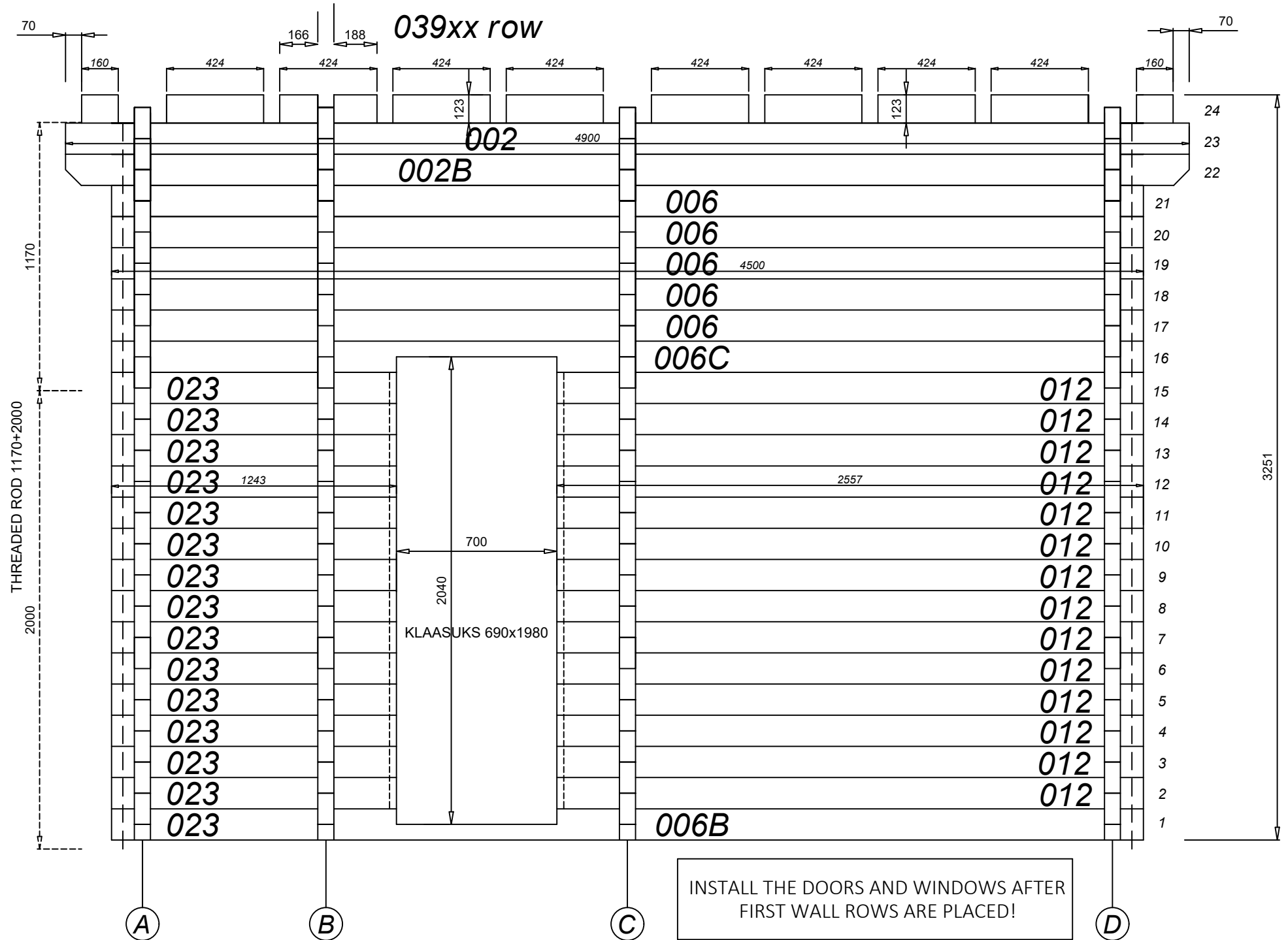
THREADED RODS

WHEN INSTALLING THE WALL LOGS,
PLEASE CHECK THAT ALL THE HOLES ARE DRILLED!

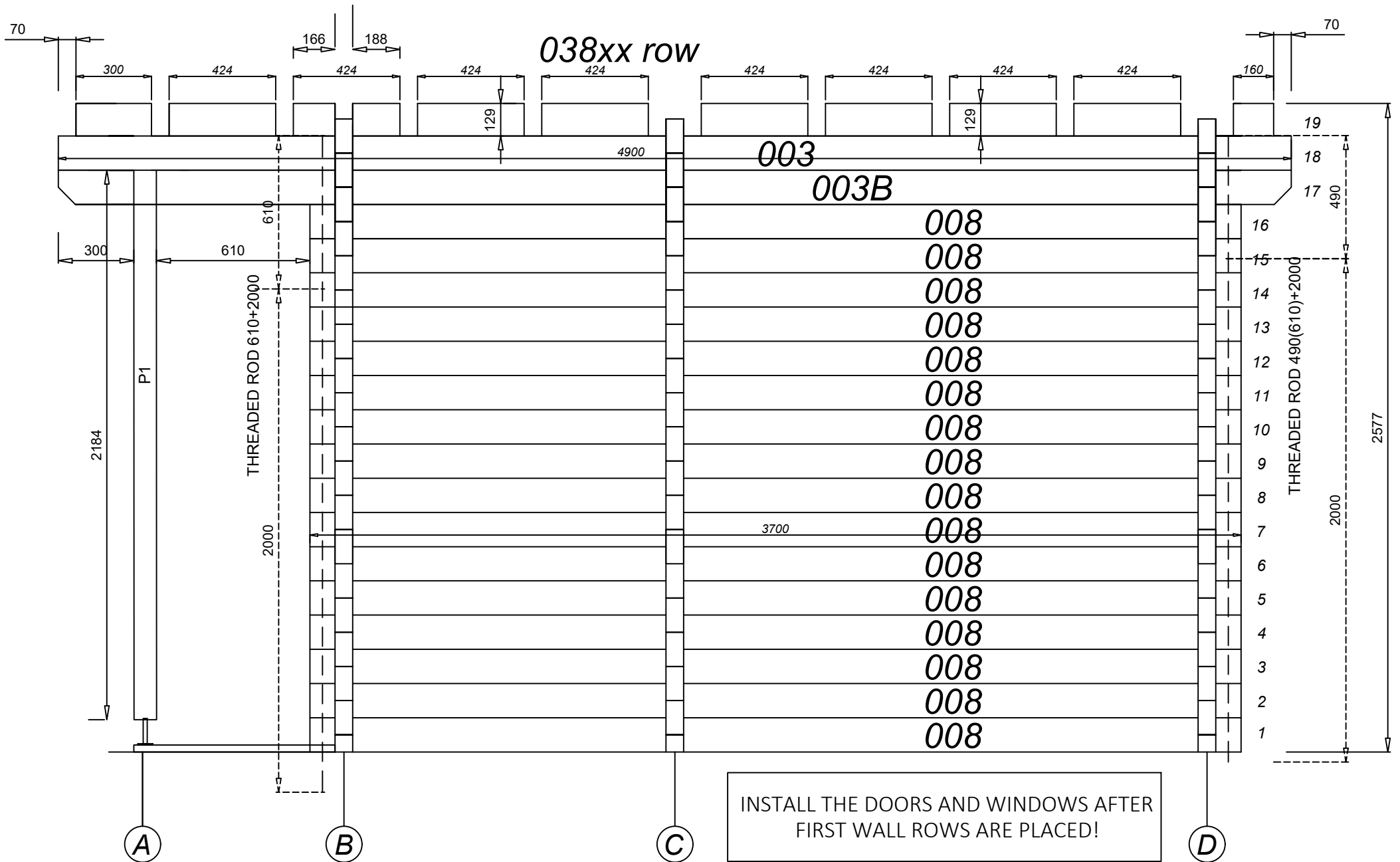




WALL 2

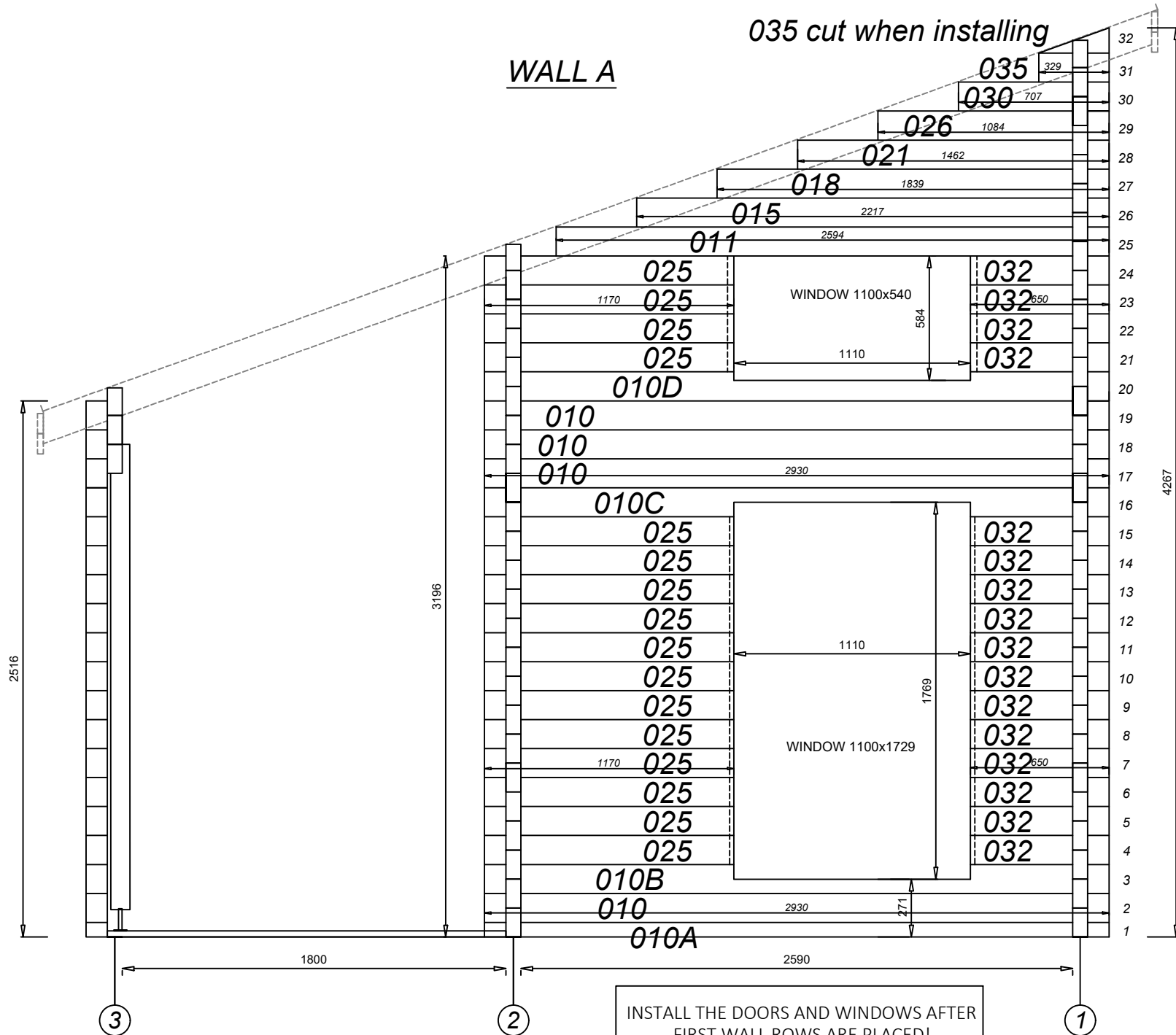


WALL 3



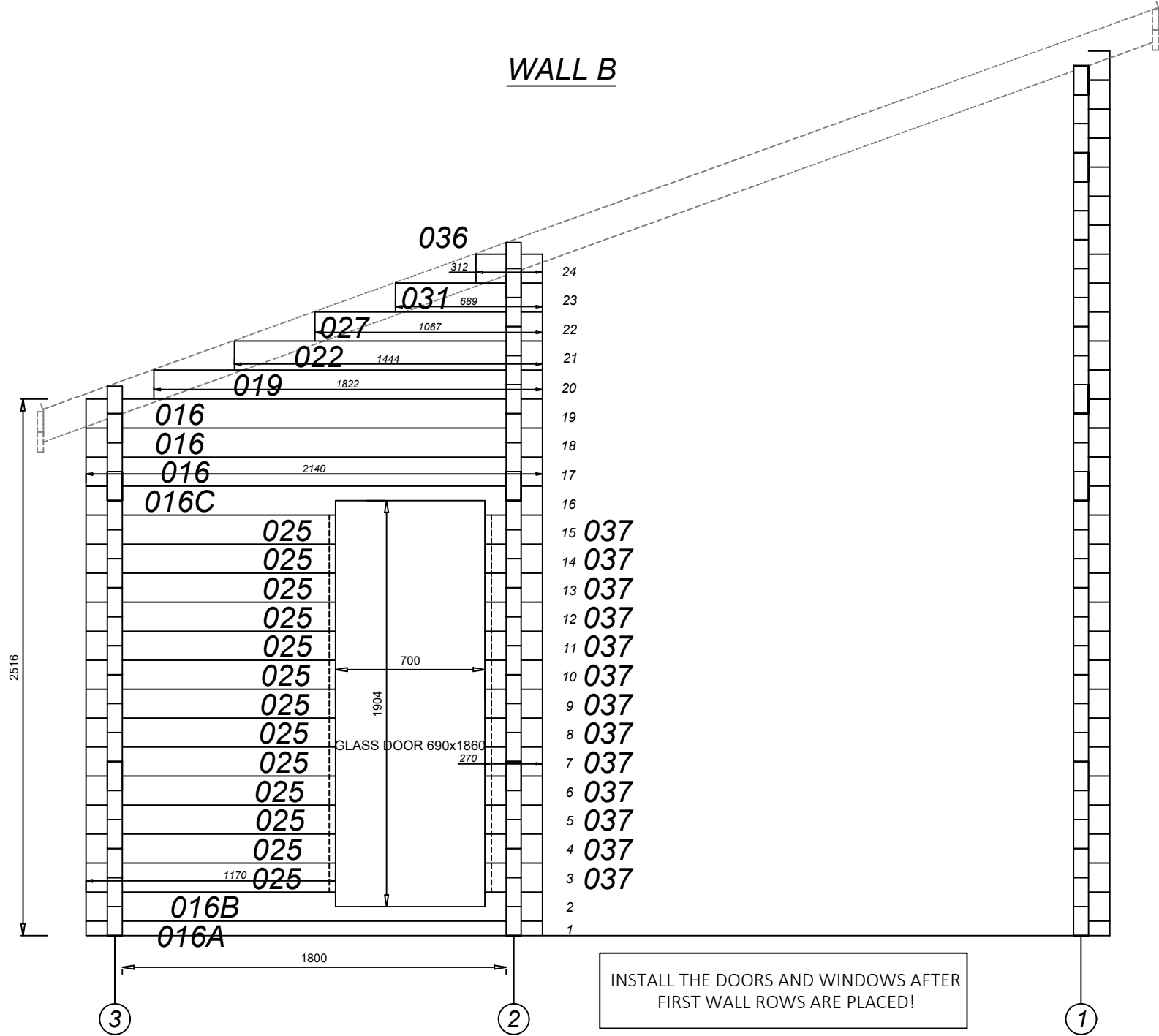
WALL A

035 cut when installing

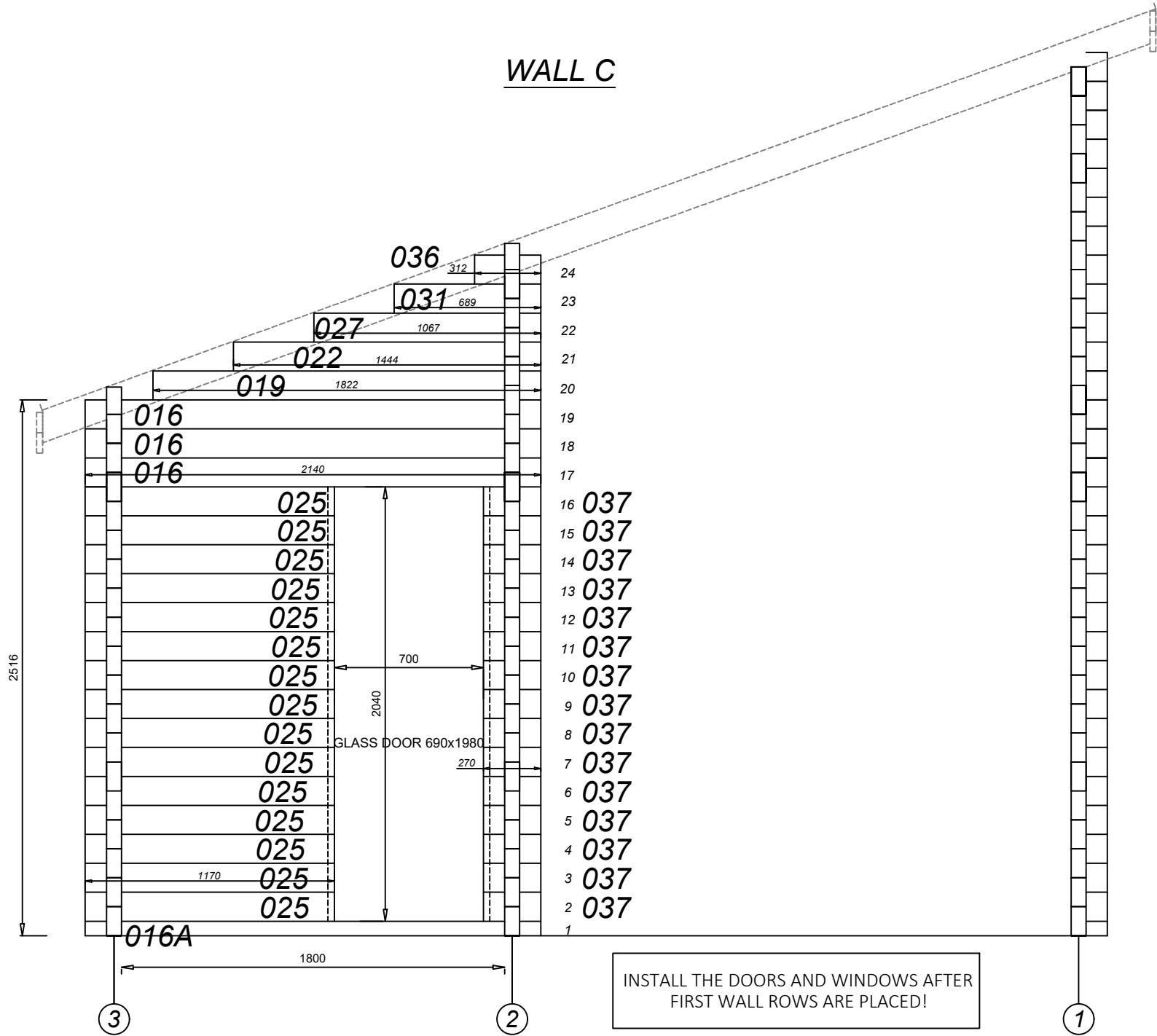


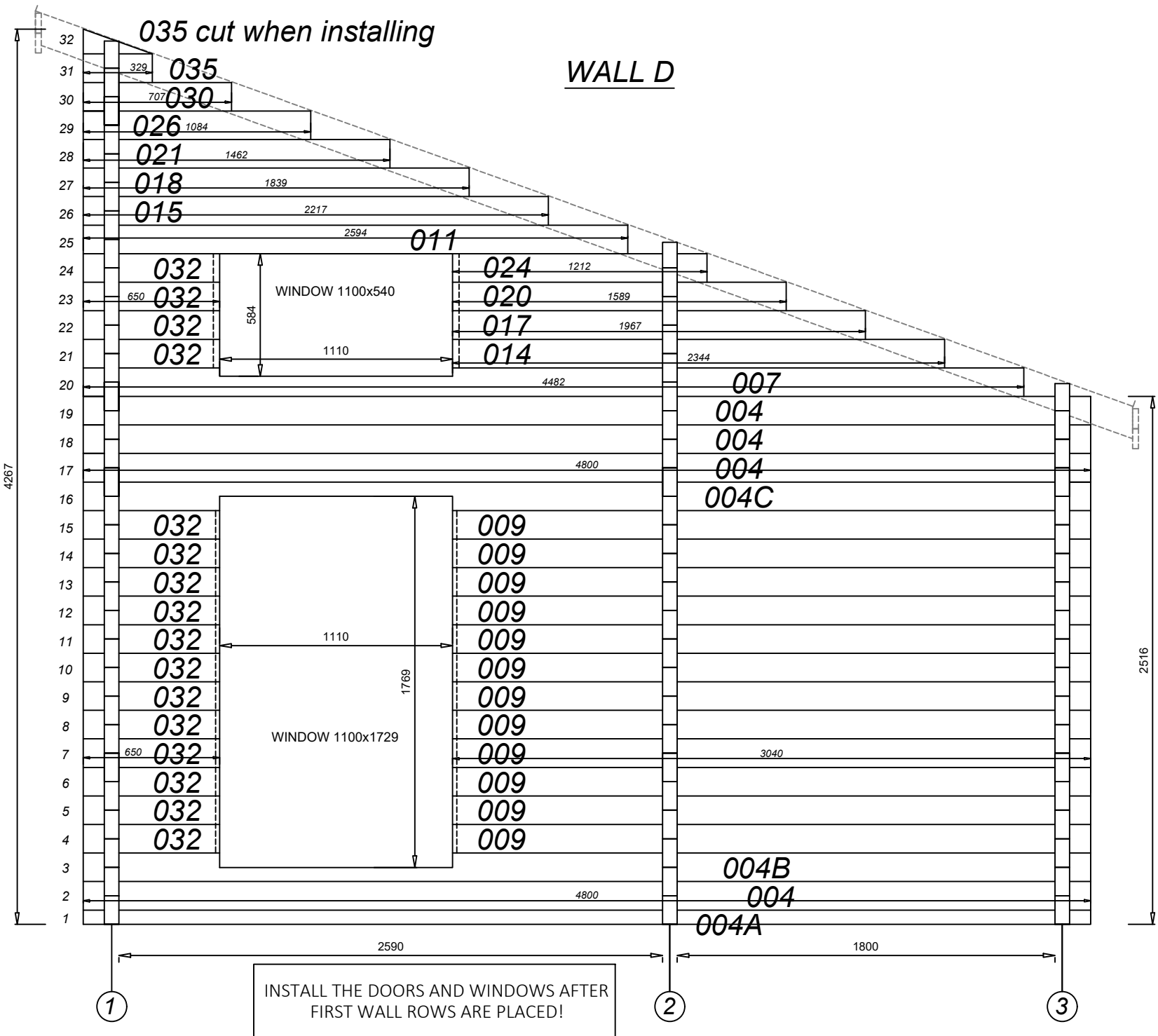
INSTALL THE DOORS AND WINDOWS AFTER FIRST WALL ROWS ARE PLACED!

WALL B

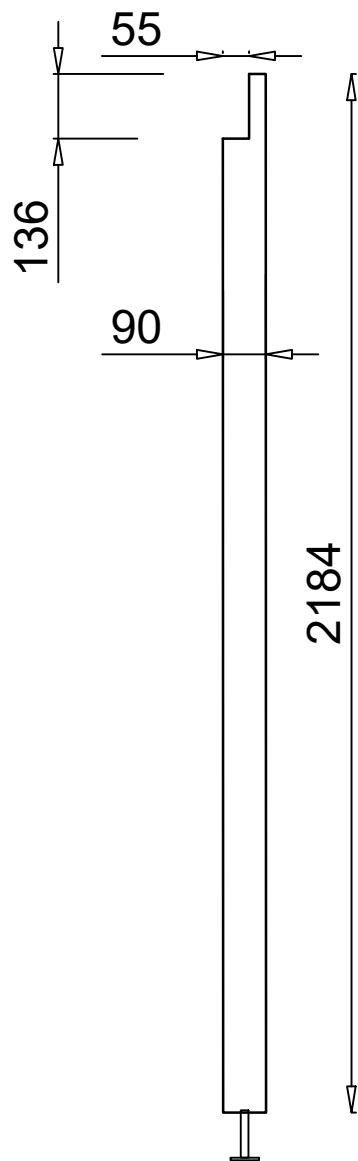


WALL C

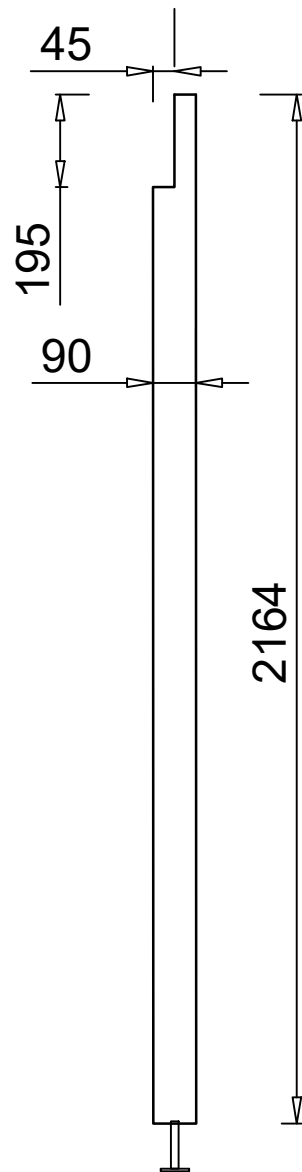




POST-1



POST-VK (2 pcs)

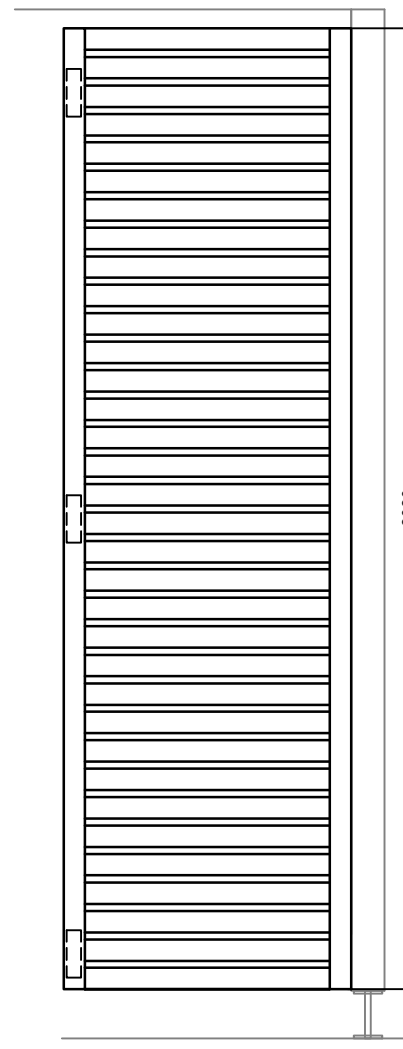


GRID WALL VS-1

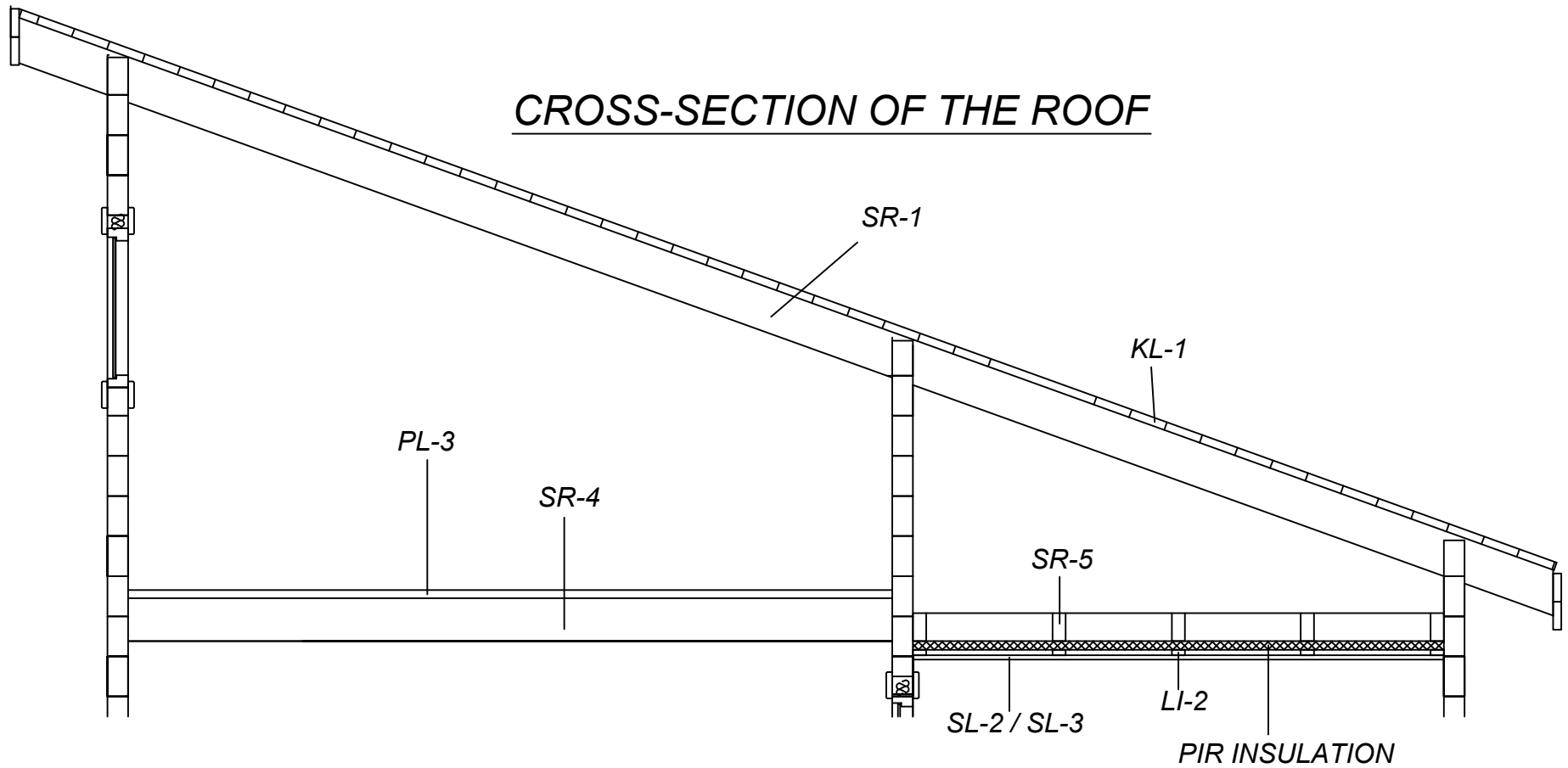
Fix to the wall with L-brackets
ALLOW MOVEMENT!

605

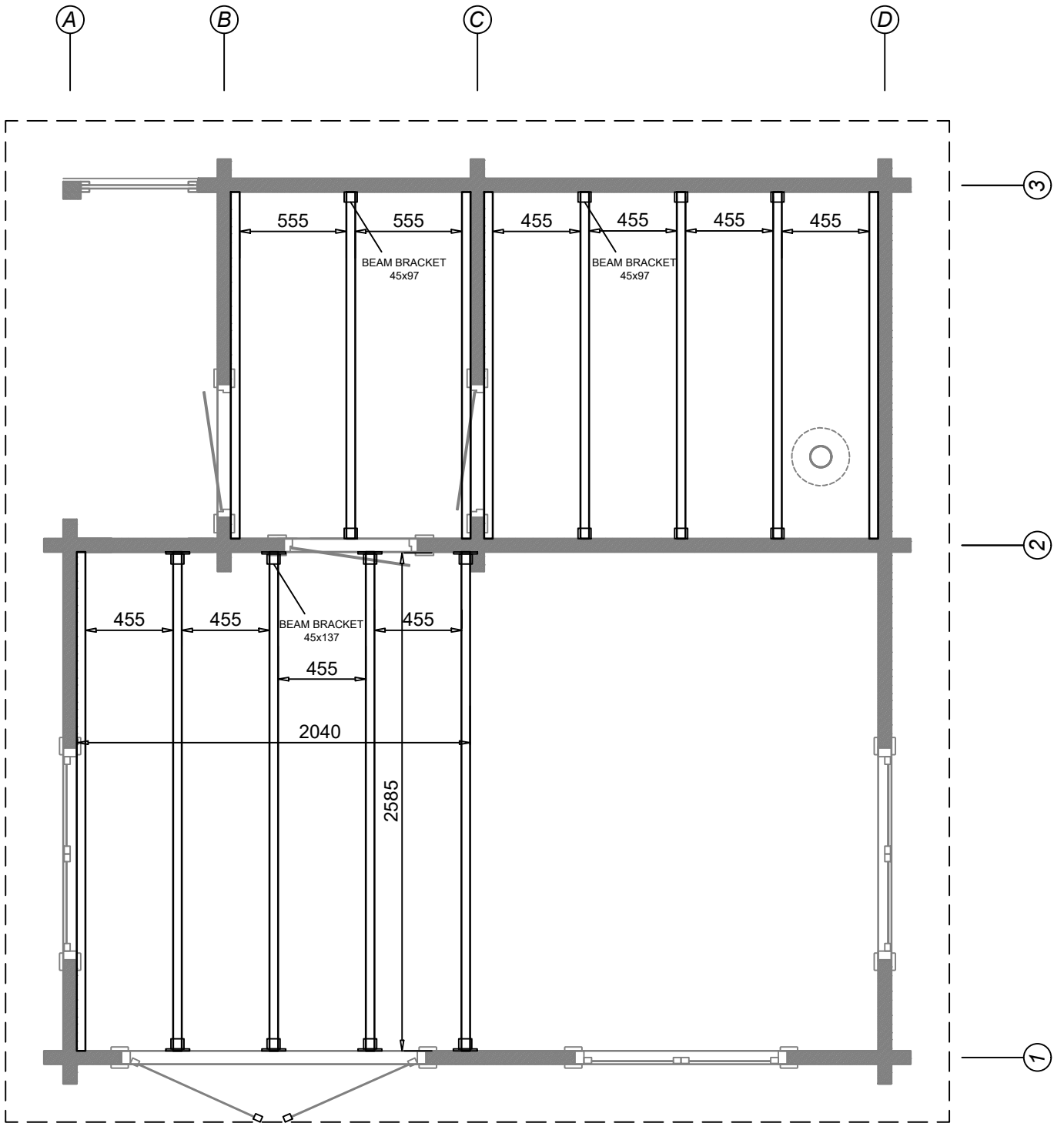
Fix to the post with screws



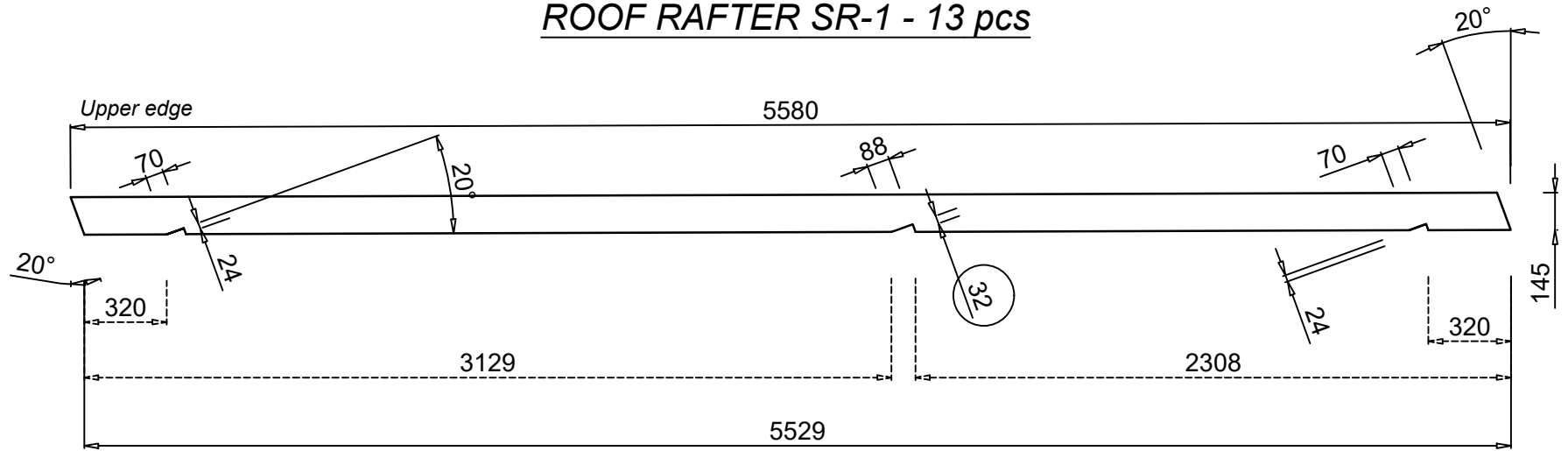
CROSS-SECTION OF THE ROOF



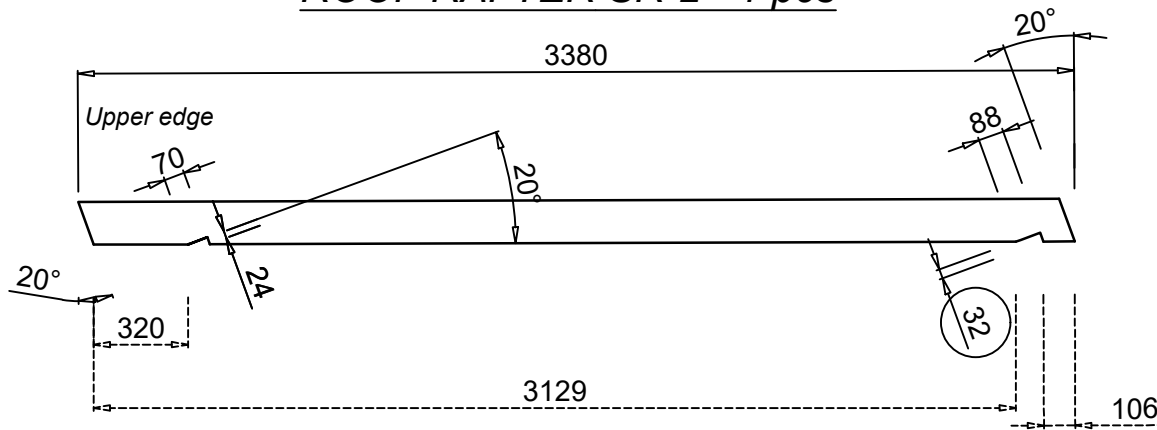
CEILING BEAMS



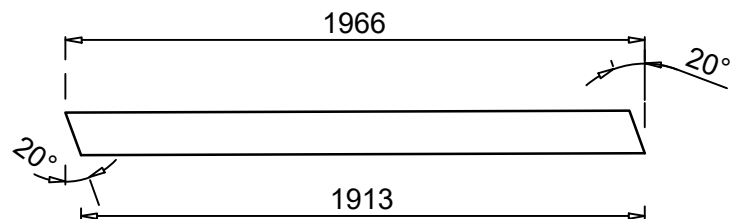
ROOF RAFTER SR-1 - 13 pcs



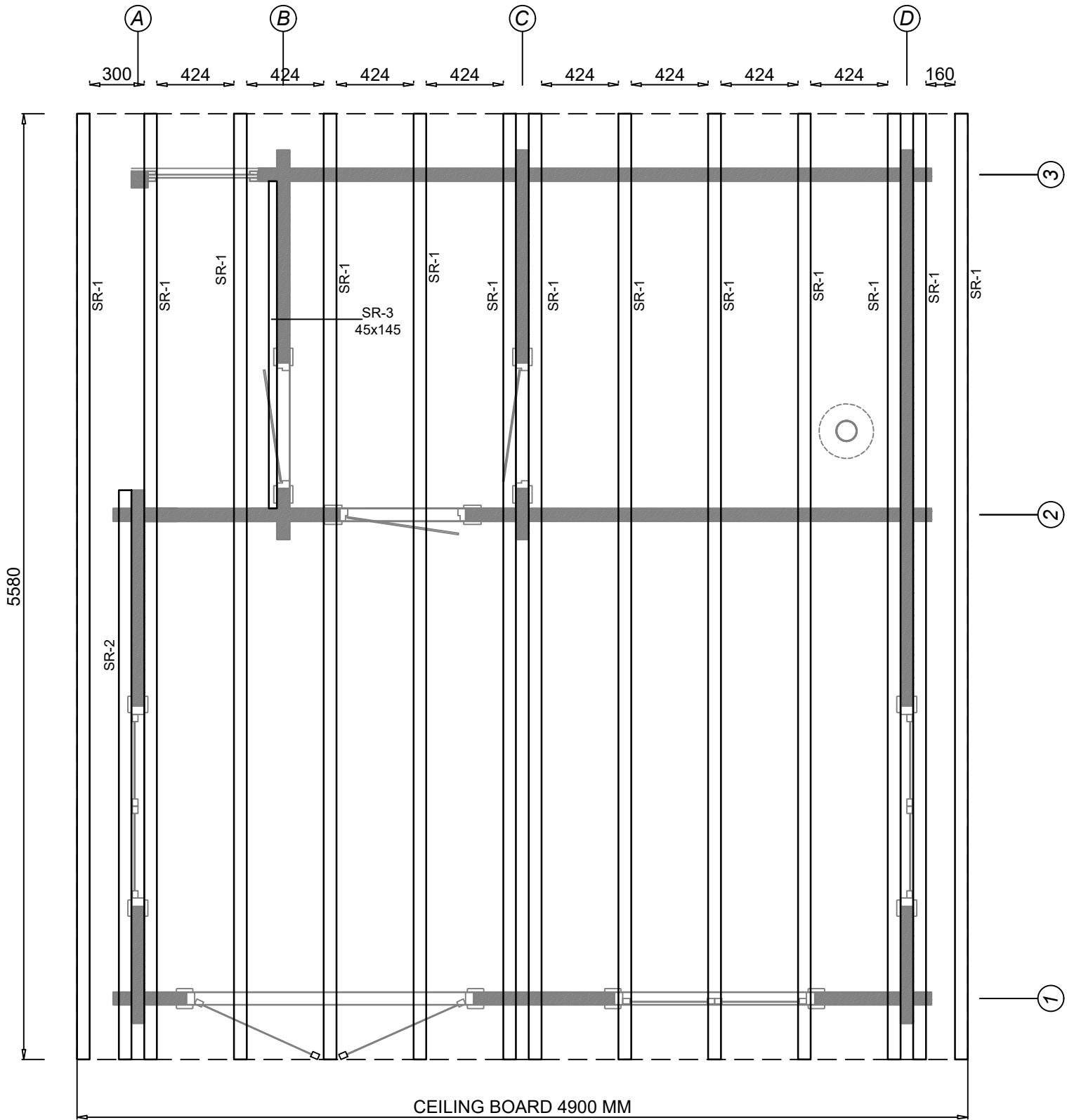
ROOF RAFTER SR-2 - 1 pcs



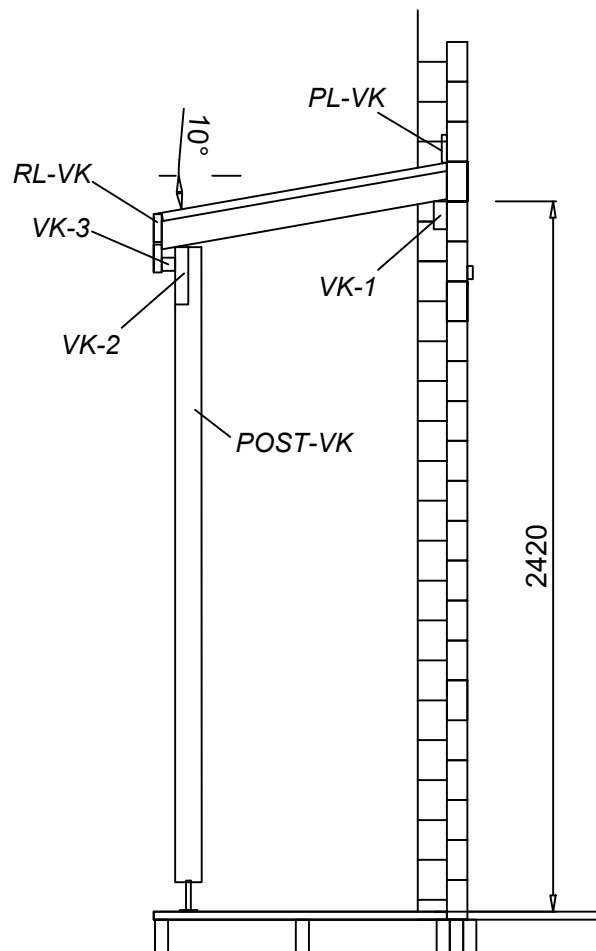
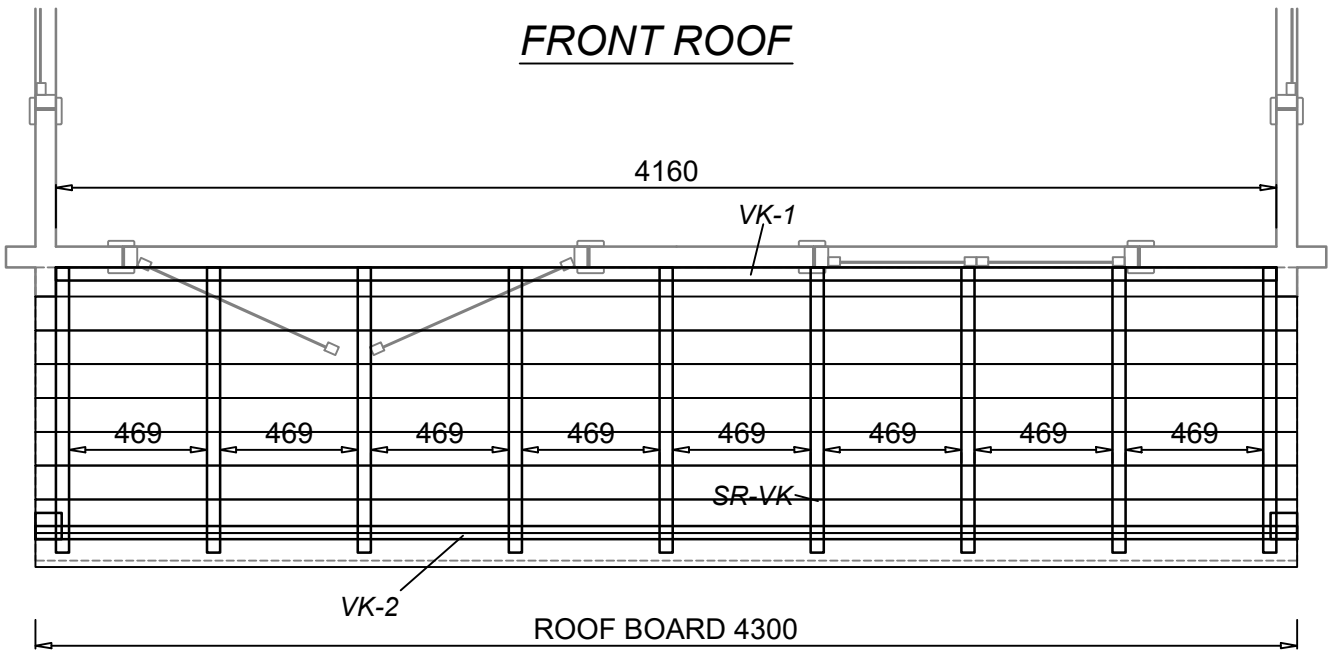
ROOF RAFTER SR-3 - 1 pcs (45x145)



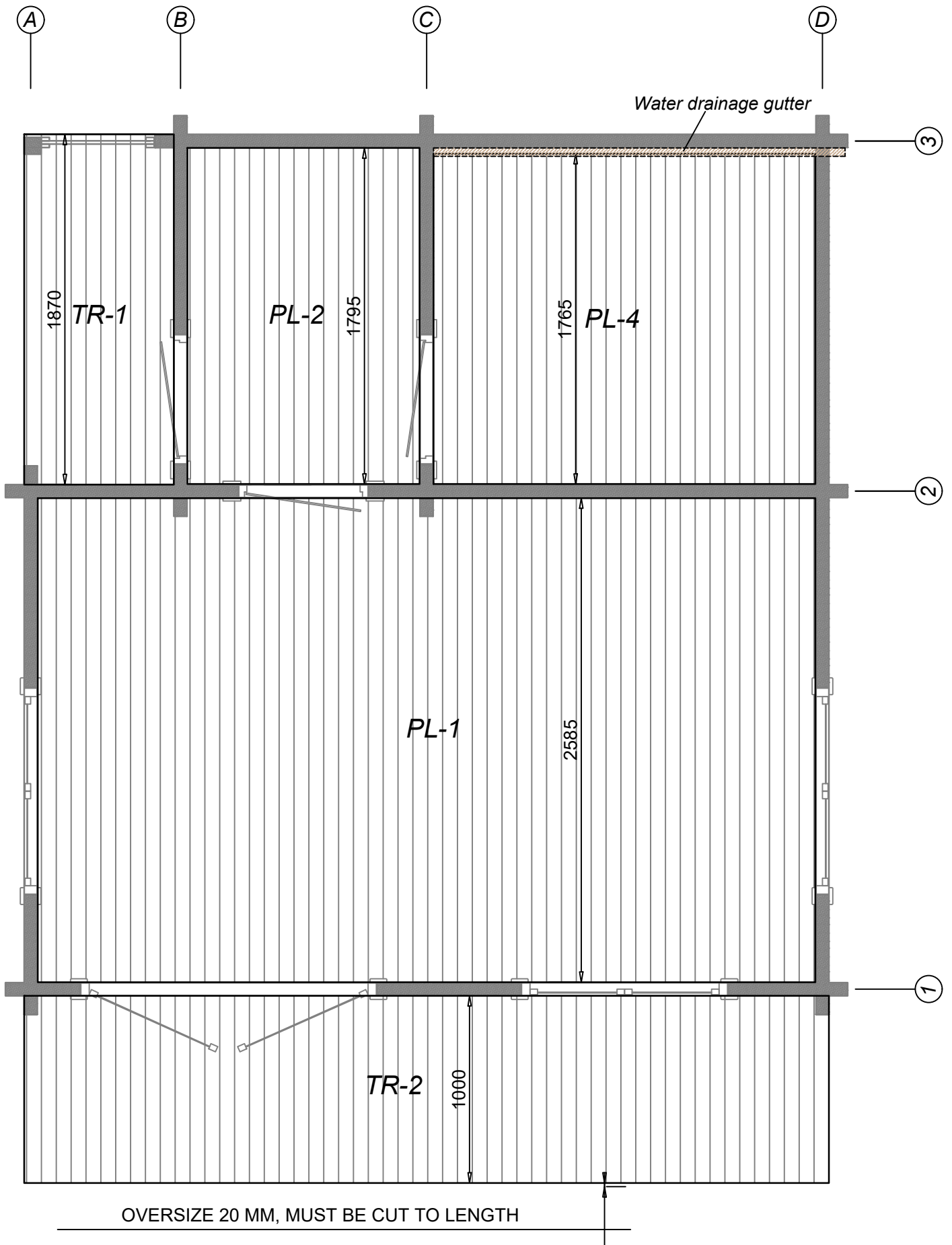
ROOF RAFTERS



FRONT ROOF

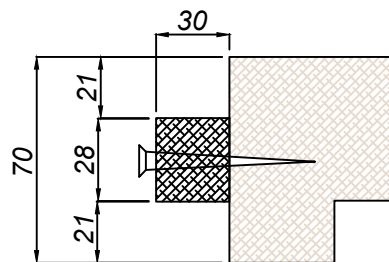


FLOOR AND DECKING BOARDS

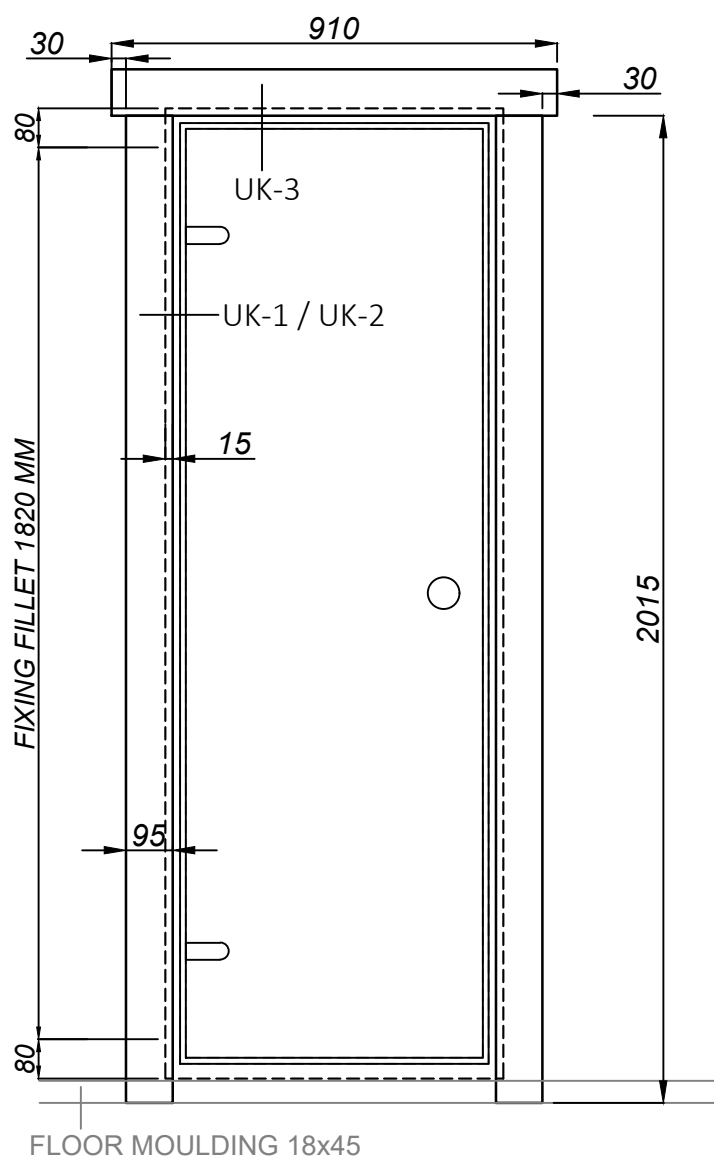


INSTALL THE DOORS AND WINDOWS AFTER
FIRST WALL ROWS ARE PLACED!

Fixing fillet

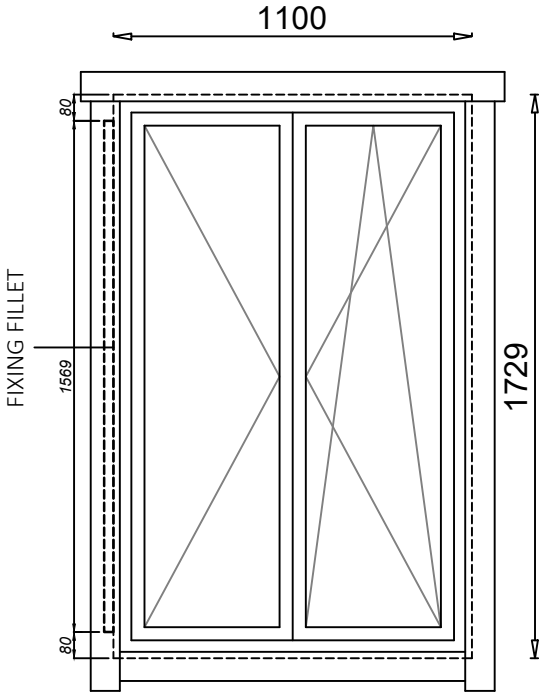


GLASS DOOR 690x1980 - 2 pcs

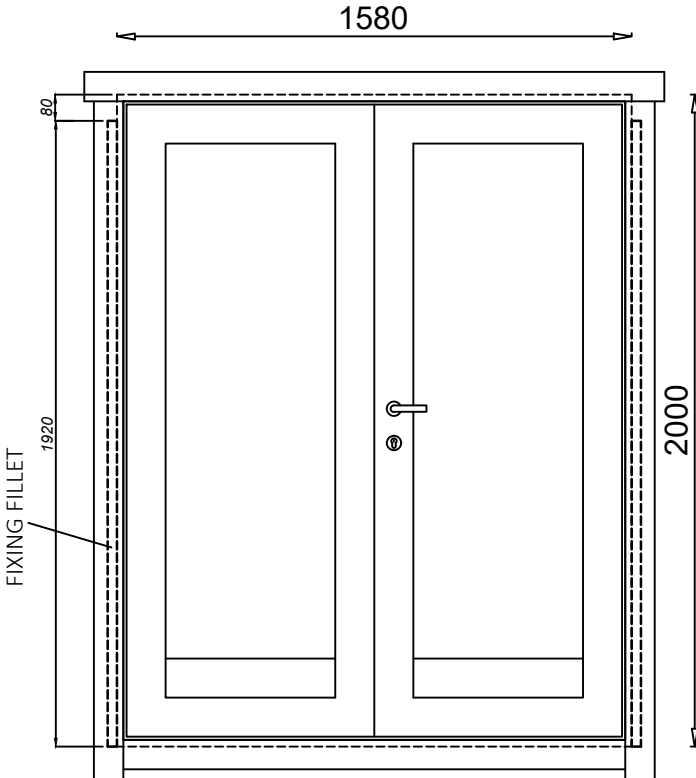


INSTALL THE DOORS AND WINDOWS AFTER
FIRST WALL ROWS ARE PLACED!

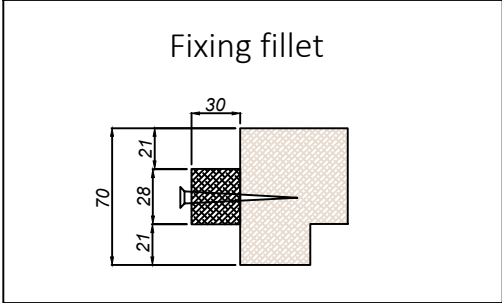
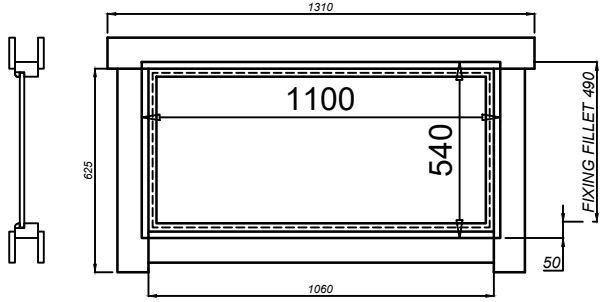
Window 1100x1729 - 3 pcs



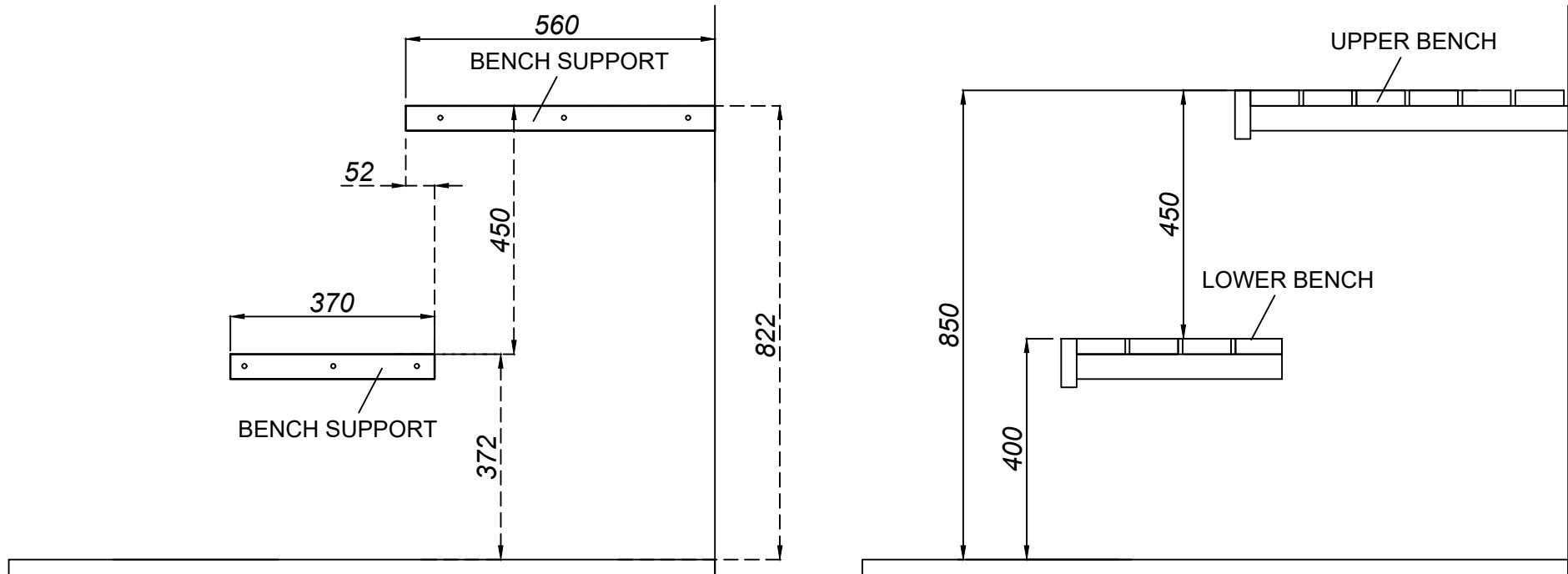
Door 1580x2000 - 1 pcs



Window 1100x540 - 4 pcs



BENCH SUPPORTS



1. FIRST FIX THE BENCH SUPPORTS TO THE WALL
2. INSTALL THE BENCH SKIRT BETWEEN BENCHES
3. THEN LIFT THE BENCHES ON TOP OF THEM
4. FIX THE BENCHES WITH THE SCREWS TO THE WALLS AND SUPPORTS
5. SUPPORT WITH A VERTICAL SUPPORT IN THE MIDDLE IF NECESSARY